

Tubular Brass

Model 512 Direct Drain

For most tubs 14" - 16" high

Sturdy 1.5" 17g Tubular Brass
Slip-Joint Assembly

SPECIFICATIONS

FEATURES:

- Metal strainer body for cast iron or plastic tubs
- Theft-resistant brass stopper
- Designed for heavy-duty use in hotels, motels, and rental property.
- Replaceable drip-proof Buna-N-Seal
- Retainer plate for overflow ell

PATENTS:

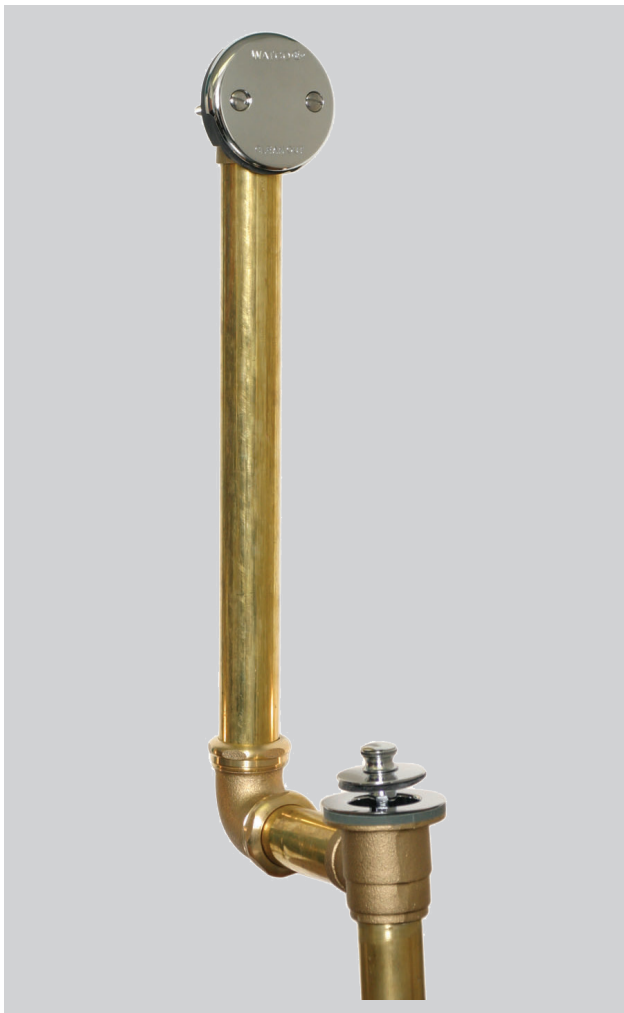
- <https://www.watcomfg.com/patents>

THREAD SIZE:

- 1 $\frac{1}{2}$ " – 11 $\frac{1}{2}$ NPSM (Coarse Thread)
- 1.865" Major Diameter (outside thread diameter)
- 11.5 threads per inch

PIPING:

- 17-gauge tubular brass



 **ADA** PRESFLO® (PF) and
Foot Actuated (FA) only

OPTIONS:

- Special lengths available:
- Overflow extension (add code "EXlength")
example: EX6
- Drain extension (add code "Dlength")
example: D4

See price list for complete item numbers and available options.

When ordering, please specify complete item number and any applicable option codes.

Finishes Available in the 512 Series:

Tube Closures:	PUSH PULL®	LIFT & TURN	PRESFLO®	FOOT ACT.
CP- Chrome Plated	•	•	•	•
AP- Aged Pewter	•	•	•	
BB- Brushed Bronze	•	•	•	•
BN- Brushed Nickel	•	•	•	•
BO- Bone	•	•		
BS- Biscuit	•	•		
BZ- Oil-Rubbed Bronze	•	•	•	•
CB- Chrome Brushed	•	•	•	•
NP- Nickel Polished	•	•	•	•
PB- Polished Brass	•	•	•	•
WH- White	•	•		•
WI- Wrought Iron	•	•	•	•

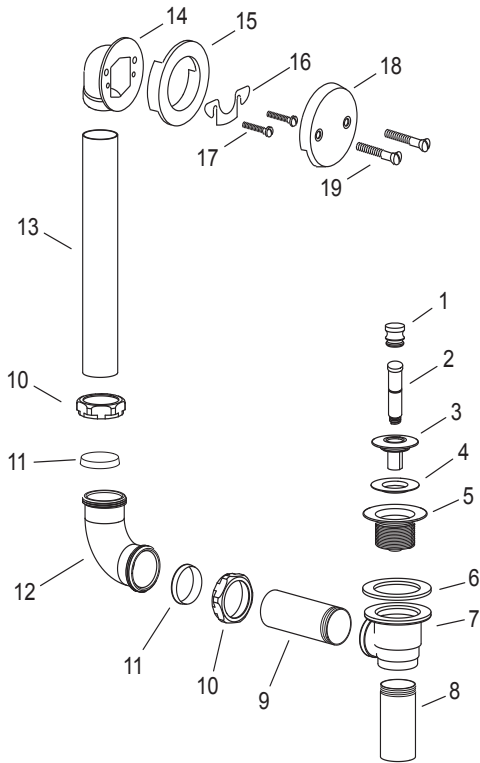
WATCO



Always a step ahead

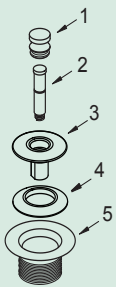
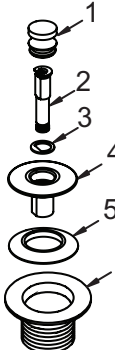

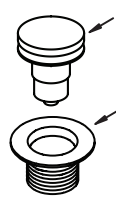
For More Information Contact:
WATCO Manufacturing Company
1220 South Powell Road
Independence, MO 64057-2724
Ph. 816-796-3900 • FAX 816-796-0875
www.watcomfg.com

512 Direct Drain Series Parts List



Item	Part #	Description
1	01010__*	Knob, metal
2	11510	Friction Ring (11505) and Post (11532)
3	01013__*	Stopper, metal
4	11507	Seal, 1 1/16" dia.
5	01016__*	Strainer Body, metal, 1.865" - 11.5 - 1.25"
6	10696	Drain Ell Washer, 1.5", gray
7	44010	Direct Drain Tee, brass w/internal threads
8	17GA-6	Tail Piece, 17g brass, 6.0"
9	17GA-4.75	Drain Ell Tube, 17g brass, 4.75"
10	41580	Brass Slip Nut
11	11583	Slip Joint Polywasher, 1.5"
12	44011	Brass Elbow for Direct Drains
13	17GA-15.62	Overflow Ell Tube, 17g Brass, 15.625"
14	44003	Brass Overflow Ell
15	40675	Overflow Ell Washer for Brass
16	11530	Retainer Plate
17	41540	Brass Screw for Retainer Plate
18	01003__*	2-Hole Overflow Plate, Metal
19	01024__*	Screw for Overflow Plate, 2.25"

* Please indicate desired finish.

 PUSH PULL® Coarse Thread	 LIFT & TURN Coarse Thread	 PRESFLO® Coarse Thread	 FOOT ACTUATED Coarse Thread
1. 01010CP 01010__* 2. 11584 3. 01013CP 01013__* 4. 11507 5. 01016CP 01016__*	1. 01010CP 01010__* 2. 11079 3. 11088 4. 11290CP 01013__* 5. 11507 6. 11492CP 01016__*	1. 11145CP 11145__* 2. 11132 3. 11060CP 11060__* 4. 96039: Suction Cup for removing stopper	1. 38412-CP 38412-__* 2. 11492-CP 01016-__*

***If finish other than Chrome is desired, please use this part number and indicate desired finish.**