

Features

- Under-mount
- No faucet holes to accommodate either wall-mount or countertop faucets
- 5-15/16"-deep single bowl
- 3-3/4" drain opening
- Stainless steel with a luster finish
- SilentShield technology
- 18-gauge stainless steel
- Lifetime limited warranty
- ADA-adaptable when installed per the requirements of the Accessibility Guidelines, Section 606 Sinks, of the Act

Optional Products/Accessories

7400 Sink Strainer



ADA

Codes/Standards

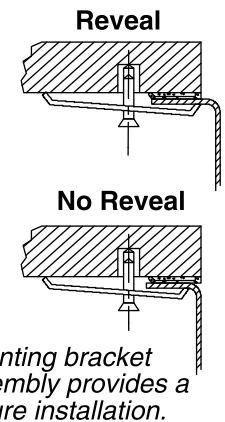
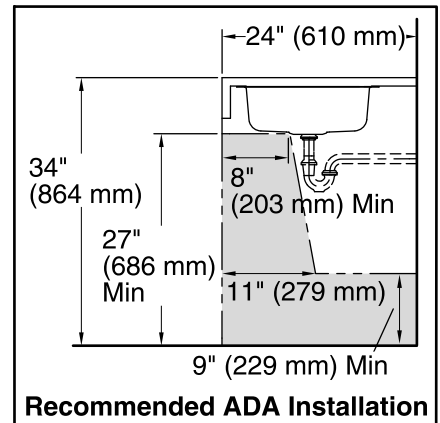
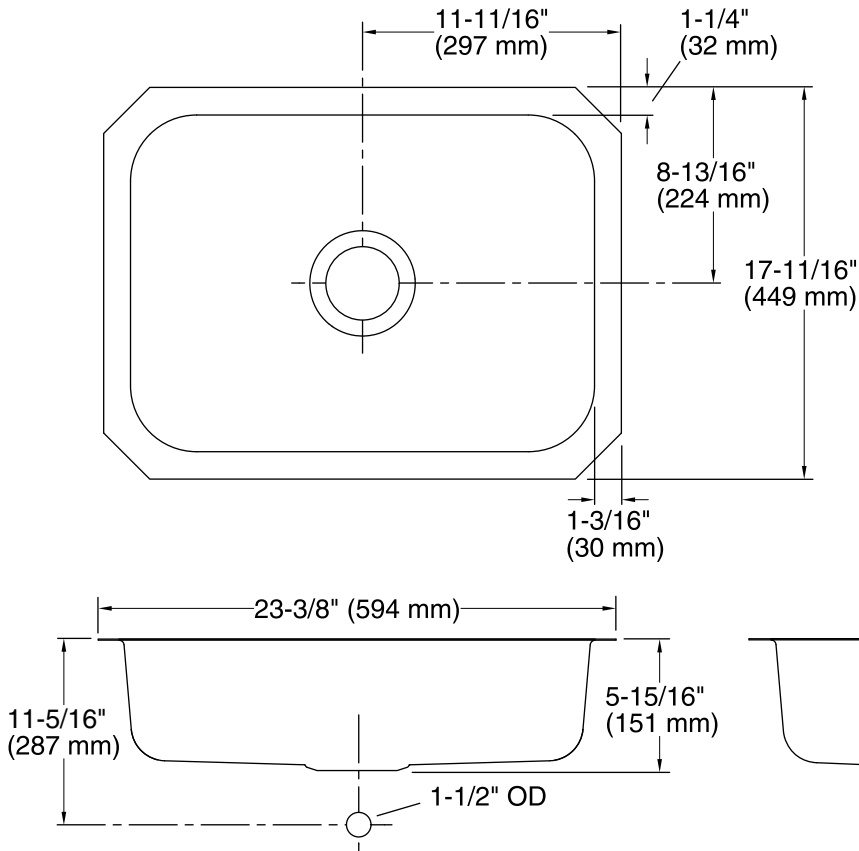
ASME A112.19.3/CSA B45.4

ADA

ICC/ANSI A117.1

STERLING® Warranty - Stainless Steel Sinks

See website for detailed warranty information.



Technical Information

All product dimensions are nominal.

- Bowl configuration: Single
- Installation: Under-mount
- Bowl area (Only): Length: 21" (533 mm)
Width: 15-1/4" (387 mm)
Bowl depth: 5-5/8" (143 mm)
Water depth: 5-5/8" (143 mm)
- Drain hole: 3-3/4" (95 mm)
- Template: 1315840-7, required, included

Notes

- Install this product according to the installation instructions.
- ADA compliant when installed to the specific requirements of these regulations.