



**PREMIER**  
COPPER PRODUCTS

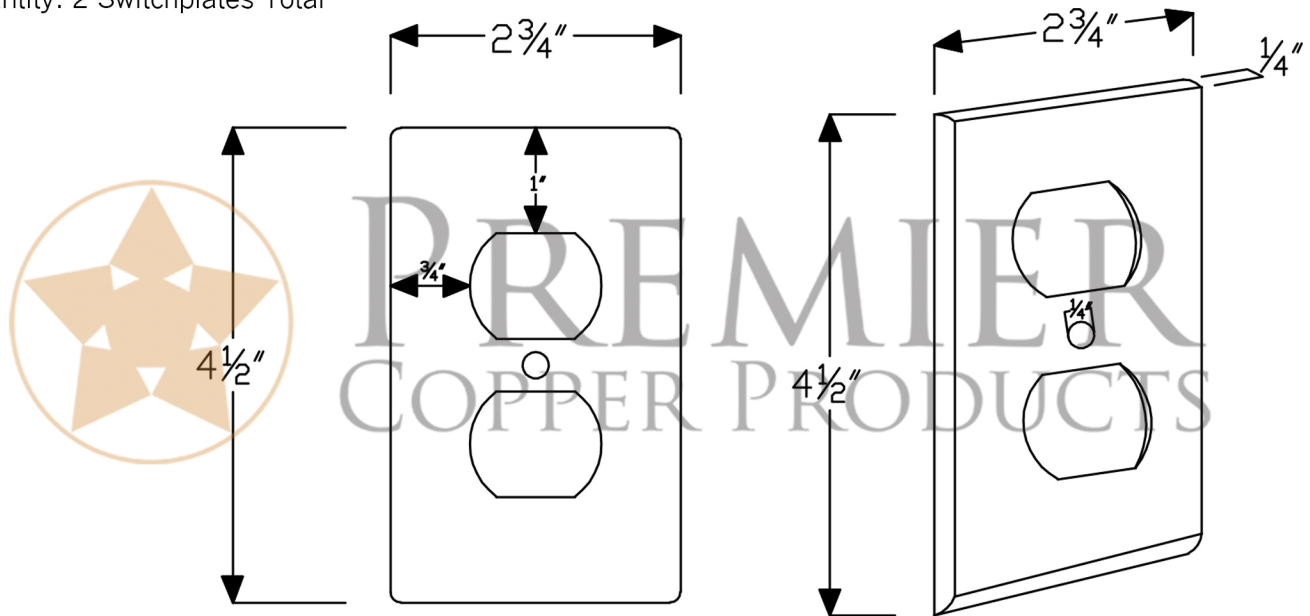
## MODEL NUMBER: SO2\_PKG2

- \* Description: Hammered Copper Switchplate Package
- \* Dimensions: 2.75" x 4.5"
- \* Quantity: **2 Switchplates Total**
- \* Finish: Oil Rubbed Bronze

\* ORB: Oil Rubbed Bronze

### SWITCHPLATE DETAILS (Model# SO2)

- \* Description: Copper Single Duplex, 2 Hole Outlet Cover
- \* Dimensions: 2.75" x 4.5"
- \* Finish: Oil Rubbed Bronze
- \* Quantity: 2 Switchplates Total



DUE TO THE HAND CRAFTED NATURE OF THIS PRODUCT SMALL VARIANCES IN COLOR AND SIZE MAY OCCUR.