

**Features**

- Solid brass construction
- Temperature-adjust handle for thermostatic valve
- ADA compliant traditional cross handle assembly for control valve
- Intended for use with Newport Brass rough valve(s) as specified (Required Accessory)

**Thermostatic Shower System Trim**  
**3-2404TR**

**Also 2-260, 3-374**

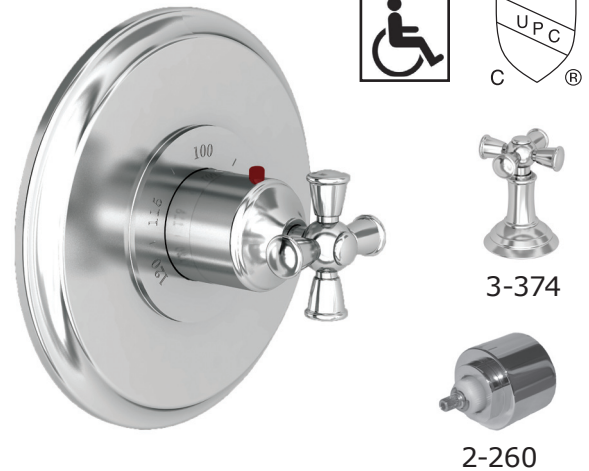
**Codes / Standards Compliance**

Meets or exceeds the following at date of manufacture:

- ASME A112.18.1/CSA B125.1
- IAPMO/cUPC
- IPC
- ADA
- ICC/ANSI A117.1
- ASSE 1016
- All applicable US Federal and State material regulations

**Colors / Finishes**

- 10B: Oil Rubbed Bronze
- 15: Polished Nickel
- 15S: Satin Nickel - PVD
- 26: Polished Chrome
- Other: Refer to the Newport Brass catalog for additional color/finish options.



**Specified Model**

Model	Description	Colors   Finishes				
3-2404TR	Thermostatic Shower System Trim	<input type="checkbox"/> 10B	<input type="checkbox"/> 15	<input type="checkbox"/> 15S	<input type="checkbox"/> 26	<input type="checkbox"/> Other
2-260	Optional Extension for Thermostatic Shower System Valve Trim	<input type="checkbox"/> 10B	<input type="checkbox"/> 15	<input type="checkbox"/> 15S	<input type="checkbox"/> 26	<input type="checkbox"/> Other
3-374	Shower System Control Valve Trim (Escutcheon/Handle)	<input type="checkbox"/> 10B	<input type="checkbox"/> 15	<input type="checkbox"/> 15S	<input type="checkbox"/> 26	<input type="checkbox"/> Other

**Required Accessory:**

Application	Shower System Valve	Shower System Control Valves				
		Flow Control (CCW Off)		Flow Control (CW Off)		
Description	Thermostatic	Flow Control (CCW Off)	Flow Control (CW Off)	Flow Control (CW Off)	Flow Control (CW Off)	Flow Control (CW Off)
Inlet/Outlet Size	3/4"	1/2"	3/4"	1/2"	3/4"	3/4" (20pt spline)
Part Number	<input type="checkbox"/> 1-540	<input type="checkbox"/> 1-606c	<input type="checkbox"/> 1-607c	<input type="checkbox"/> 1-606h	<input type="checkbox"/> 1-607h	<input type="checkbox"/> NA
Image						

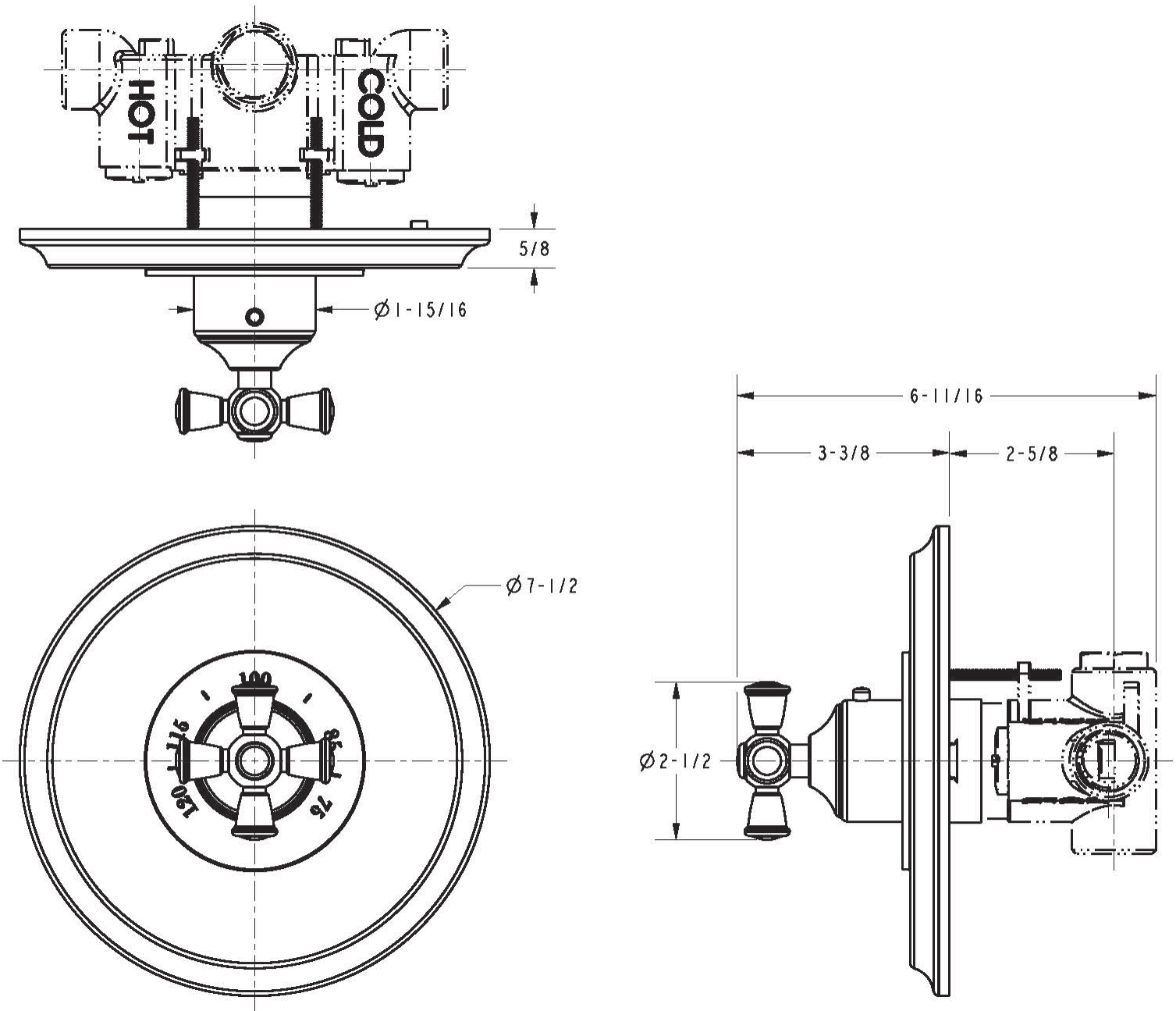
Note: The use of one 1-606H/C or 1-607H/C flow control valve and one 1-617 diverter valve can be configured to meet the requirements of CALGreen Bldg. Code (2010).

**Product Specification** Add "Color / Finish" suffix to Model number, below.

The Thermostatic Shower System Trim shall be made of solid brass construction. Thermostatic Shower System Trim shall include a faceplate and temperature-adjust handle. Shower System Control Valve Trim(s) (Escutcheon/Handle) shall be ADA compliant when used with specified Shower System Control Valve(s). Thermostatic Shower System Trim shall be Newport Brass Model 3-2404TR/\_\_\_\_ and Thermostatic Shower System Valve shall be Newport Brass Model 1-540. Shower System Control Valve Trim (Handle/Escutcheon) shall be 3-374/\_\_\_\_ and Shower System Control Valve(s) shall be 1-60\_\_\_\_ (and 1-60\_\_\_\_).

# 3-2404TR

PRODUCT DIMENSIONS (Units are in inches)



Aylesbury Thermostatic Shower System Trim  
**3-2404TR**

**NEWPORT BRASS**  
Flawless Beauty. From Faucet to Finish.™