

ALVESTON

Double Robe Hook **890-1660**

Features

- Solid brass construction
- Complements Alveston product series

Codes / Standards Compliance

Meets or exceeds the following at date of manufacture:

- All applicable US Federal and State material regulations

Colors / Finishes

- 10B: Oil Rubbed Bronze
 - 15: Polished Nickel
 - 15S: Satin Nickel - PVD
 - 26: Polished Chrome
- Other: Refer to the Newport Brass catalog for additional color/finish options.



Specified Model

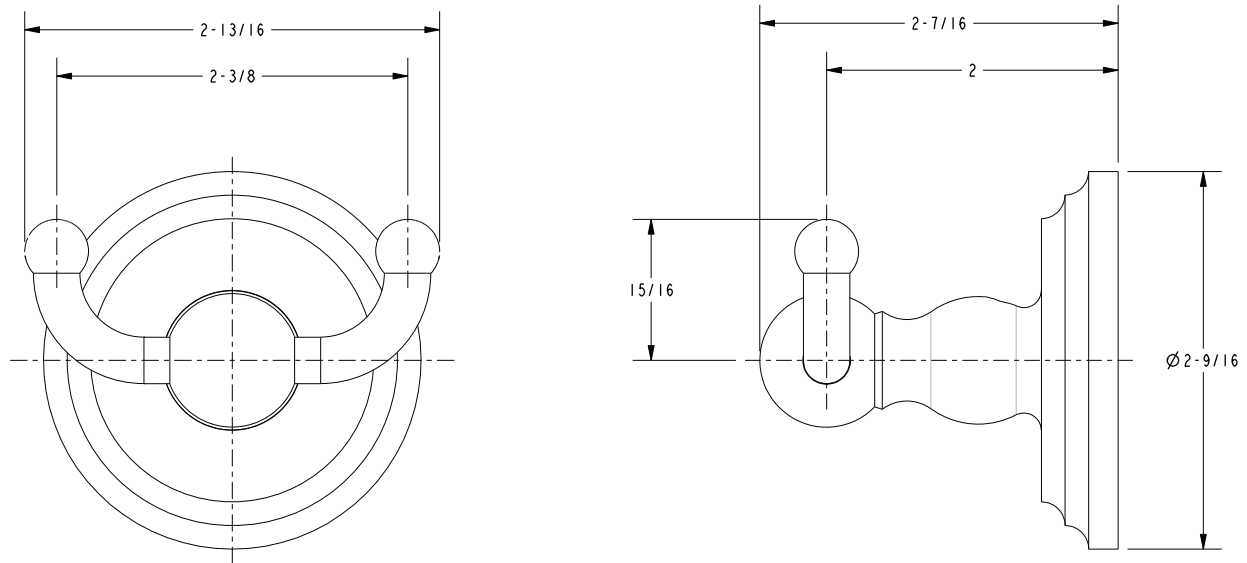
Model	Description	Colors Finishes				
890-1660	Double Robe Hook	<input type="checkbox"/> 10B	<input type="checkbox"/> 15	<input type="checkbox"/> 15S	<input type="checkbox"/> 26	<input type="checkbox"/> Other

Product Specification **Add "Color / Finish" suffix to Model number, below.**

The Double Robe Hook shall be made of solid brass construction. Double Robe Hook shall complement Newport Brass Alveston product series. Double Robe Hook shall be Newport Brass Model 890-1660/_____.

890-1660

PRODUCT DIMENSIONS *(Units are in inches)*



Alveston Double Robe Hook
890-1660