

# METROPOLE

## Toilet Tissue Holder **1200-1510**

### Features

- Solid brass construction
- Single-post, open roller design
- Complements Metropole product series

### Codes / Standards Compliance

Meets or exceeds the following at date of manufacture:

- All applicable US Federal and State material regulations

### Colors / Finishes

- 10B: Oil Rubbed Bronze
  - 15: Polished Nickel
  - 15S: Satin Nickel - PVD
  - 26: Polished Chrome
- Other: Refer to the Newport Brass catalog for additional color/finish options.



### Specified Model

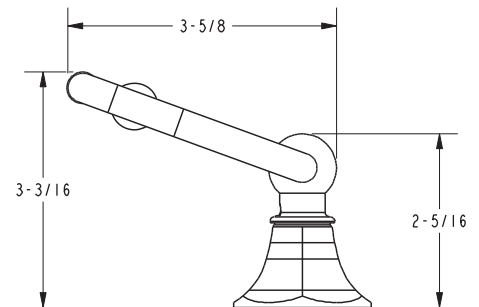
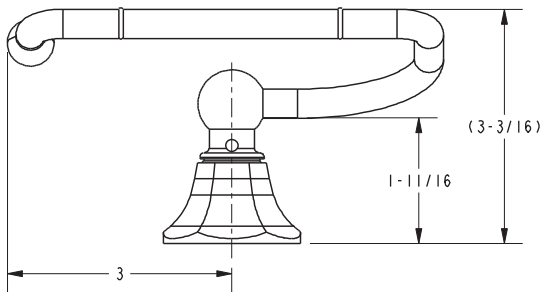
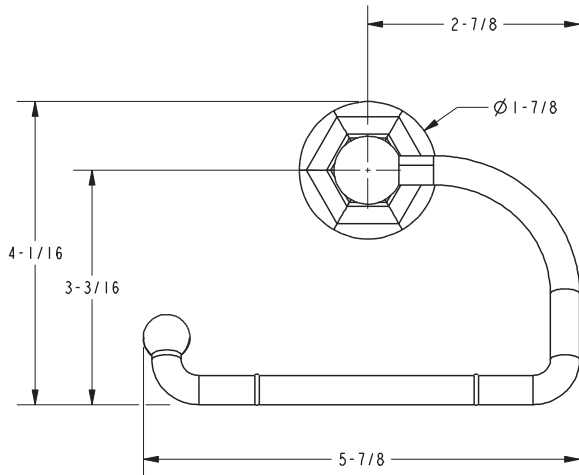
Model	Description	Colors   Finishes				
1200-1510	Open Toilet Tissue Holder	<input type="checkbox"/> 10B	<input type="checkbox"/> 15	<input type="checkbox"/> 15S	<input type="checkbox"/> 26	<input type="checkbox"/> Other

### Product Specification **Add "Color / Finish" suffix to Model number, below.**

The Toilet Tissue Holder shall be made of solid brass construction and incorporate a single-post, open roller design. Toilet Tissue Holder shall complement Newport Brass Metropole product series. Toilet Tissue Holder shall be Newport Brass Model 1200-1510/\_\_\_\_\_.

# 1200-1510

## PRODUCT DIMENSIONS *(Units are in inches)*



### Metropole Toilet Tissue Holder 1200-1510