
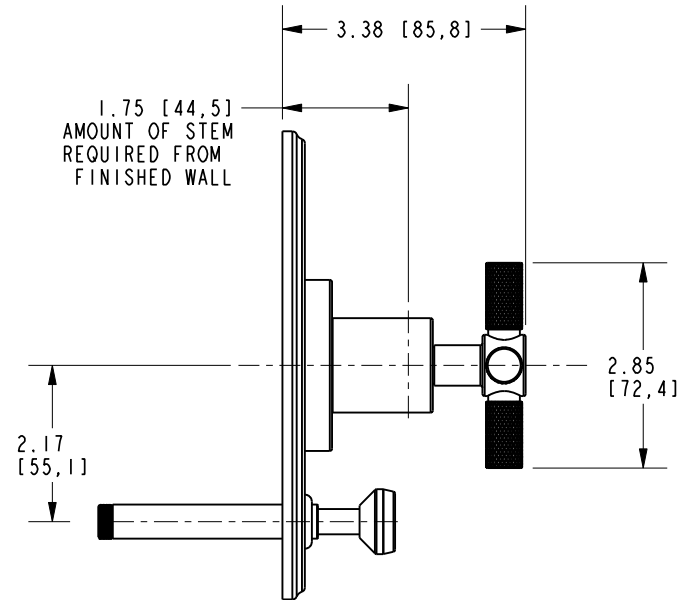
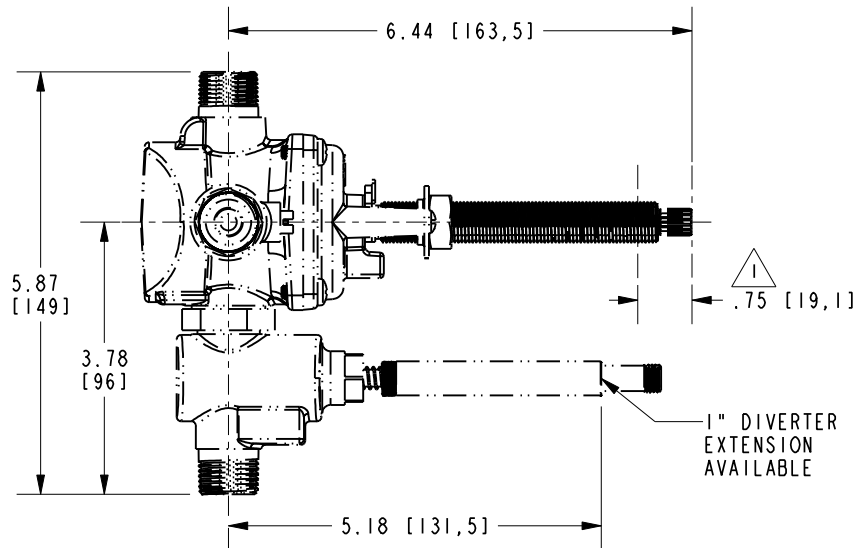
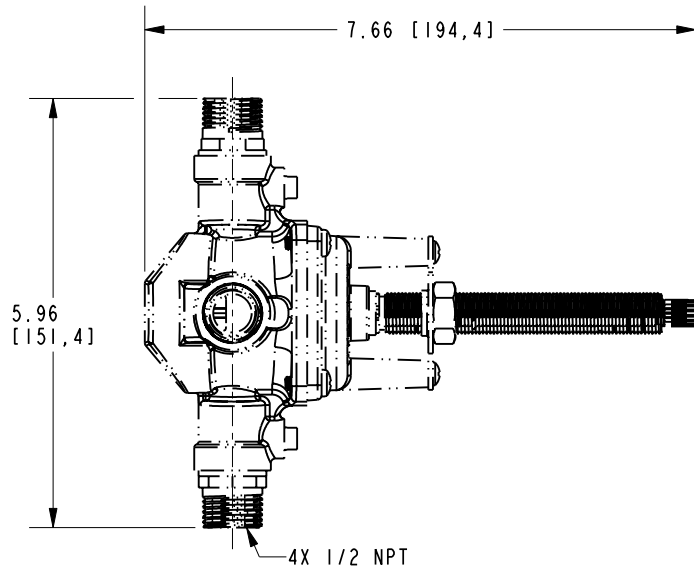


BRASSTECH		2001 E. CARNEGIE AVE.	
INCORPORATED		SANTA ANA, CA 92705	
DWG NO.		REV	
5-3302BP		-	
SCALE .500	REF. -	SHEET 2 OF 3	

NOTE:

 CUT ALL THREAD 0.75" SHORTER THAN STEM.



BRASSTECH		2001 E. CARNEGIE AVE. SANTA ANA, CA 92705 (949) 417-5207	
DWG NO.	5-3302BP	REV	-
SCALE	.375	REF.	-
SHEET 3		OF 3	