

INSTALLATION INSTRUCTIONS
SHOWERHEAD ASSEMBLY
MODEL NO. 215

We recommend Installation of this product by a Professional Plumbing Contractor

Note: Regarding fittings, the use of petroleum based plumber's putty on our products will nullify the warranty. We recommend the use of clear silicone sealing materials as outlined by the manufacturer.

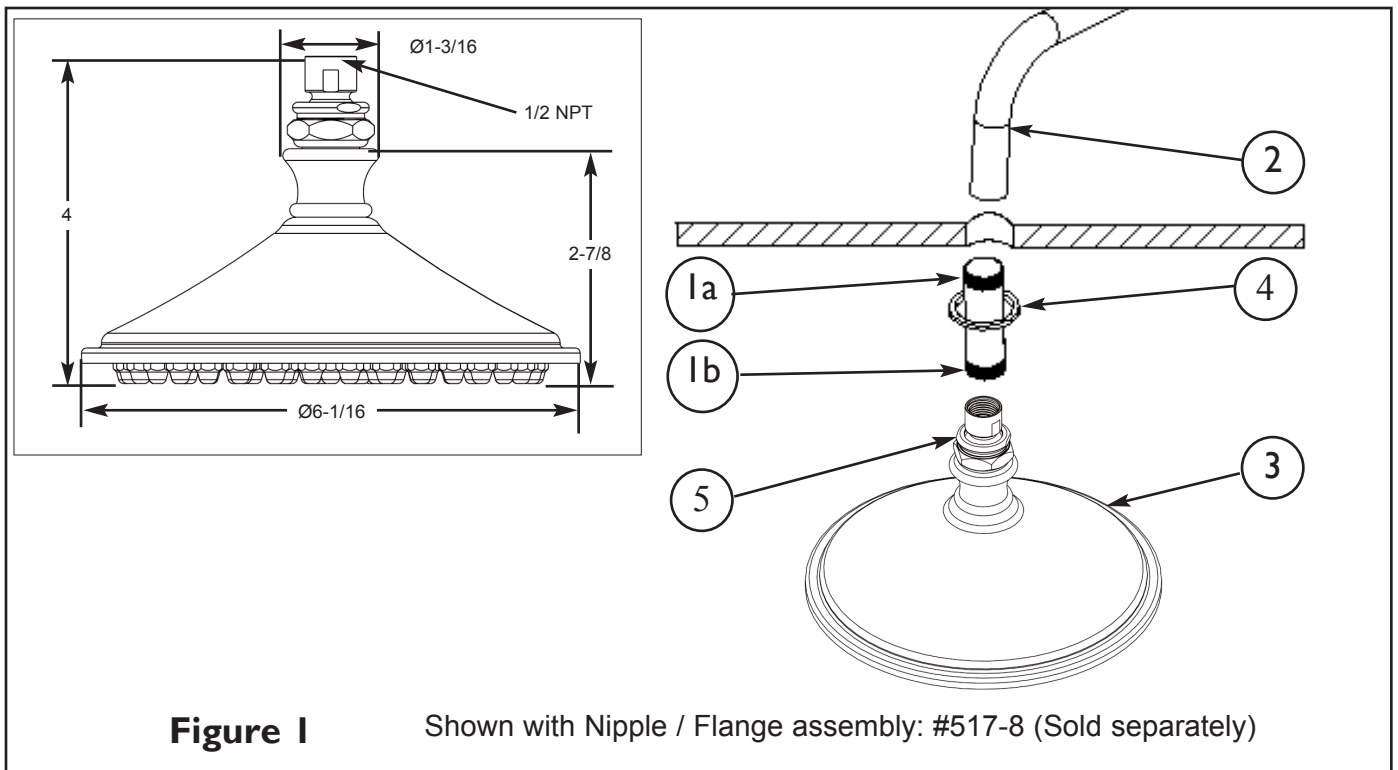
To avoid damage to trim, all mating surfaces, (tile, paint, etc.), should be finished prior to trim installation. Recommended trim for installation 517-xx / 516-xx, sold separately. Note: -xx designates various nipple length available for installation requirements.

Shower Head Installation: (1/2" NPT) Figure 1

As noted above, installer must use an appropriate length 1/2" NPT nipple, not included, for product installation.

1. Apply thread sealant to inlet end of NIPPLE (1a) and thread into FITTING (2) behind finished ceiling.
2. Apply a small bead of clear silicone to backside of FLANGE (4), not included, and slide over NIPPLE (1) and flush against ceiling.
3. Apply thread sealant to outlet end of NIPPLE (1b) and attach shower HEAD (3).

Note: Adjustment to shower head angle to accommodate wall mounted shower arm as follows: loosen SHELL NUT (5), adjust angle of SHOWERHEAD (3). Re-tighten NUT (5) accordingly to ensure proper seal.



Shower Head Installation: (3/4" NPT) Figure 2

As noted above, installer must use an appropriate length 3/4" NPT nipple, not included, for product installation.

1. Apply thread sealant to inlet end of NIPPLE (1a) and thread into FITTING (2) behind finished ceiling.
2. Apply a small bead of clear silicone to backside of FLANGE (4), not included, and slide over NIPPLE (1) and flush against ceiling.
3. Remove 1/2" adapter assembly (5) to access 3/4" interface.
4. Apply thread sealant to outlet end of NIPPLE (1b) and attach shower HEAD (3).

