

## DESCRIPTION

- Metal construction with various finishes identified by suffix.
- 3/8" compression inlet connection
- Compatible with F9800 Advanced Carbon Filtration System and F9900 Reverse Osmosis System

## OPERATION

- Lever style handle
- Operates with less than 5 lbs. of force

## FLOW


- Flow is limited to 1.5 gpm (5.7 L/min) at 60 psi

## CARTRIDGE

- Ceramic disc cartridge

## STANDARDS

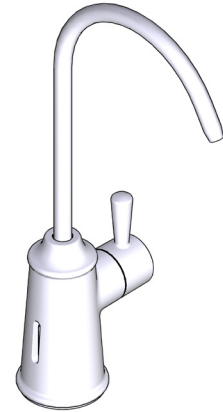
- Third party certified to IAPMO Green, ASME A112.18.1/CSA B125.1 and all applicable requirement referenced therein including NSF61/9 & 372
- Meets CalGreen and Georgia SB370 requirements
- Complies with California Proposition 65 and with the Federal Safe Drinking Water Act
- Certified by IAPMO R&T to NSF/ANSI 372 for Low Lead Content when used in the F9800 system, to CSA B483.1 and NSF/ANSI 42, 53 & 401 for the claims enumerated on the Performance Data Sheet. When used in the F9900 system, to CSA B483.1 and NSF/ANSI 42, 53, 58 & 401 for the claims enumerated on the Performance Data Sheet.

- ADA  for lever handles

## WARRANTY

- 3 year limited warranty

Visit [www.moen.com/support](http://www.moen.com/support) for complete details and limitations

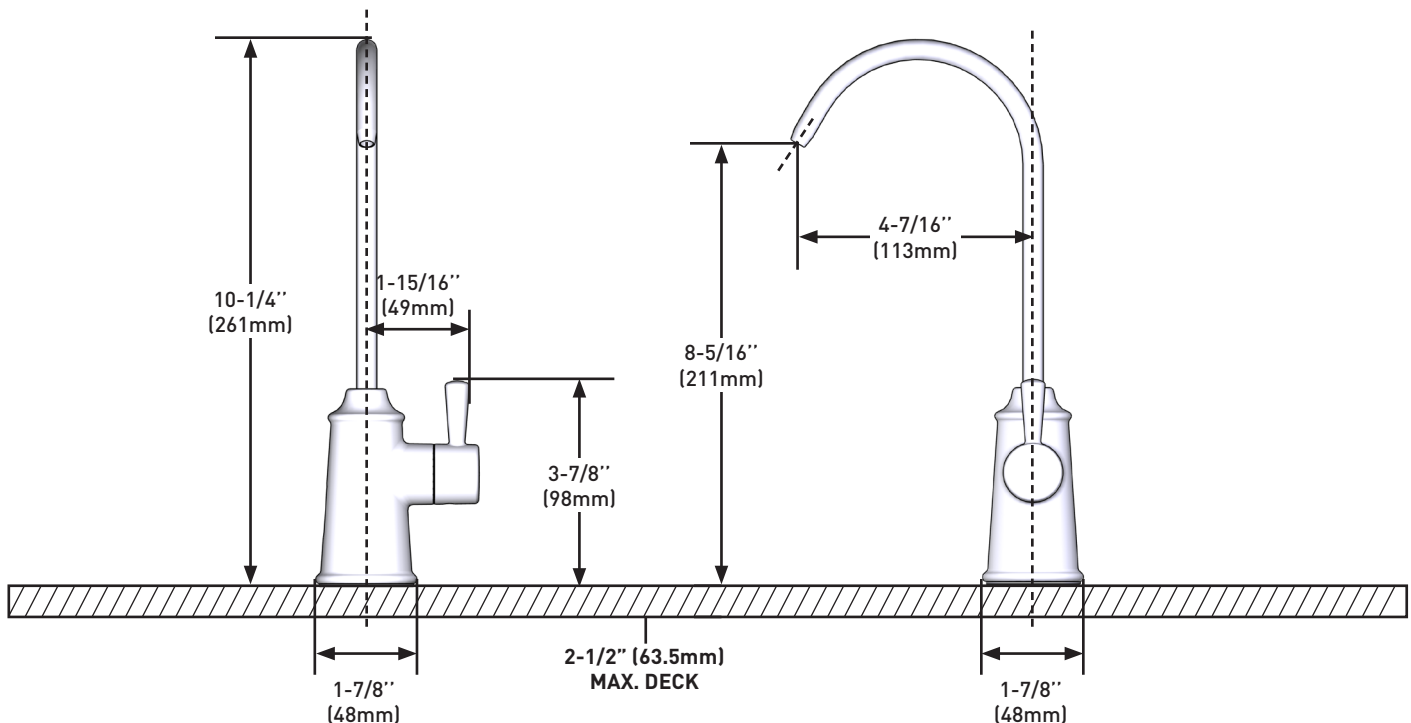


## SIPTM

### Traditional Faucet

**MODELS:** F7600 Series

**NOTE: DESIGNED TO BE INSTALLED THROUGH 1 HOLE, 1-1/4" (32mm) MIN. DIA.**



**CRITICAL DIMENSIONS** DO NOT SCALE