

Iso™ Technical Specification

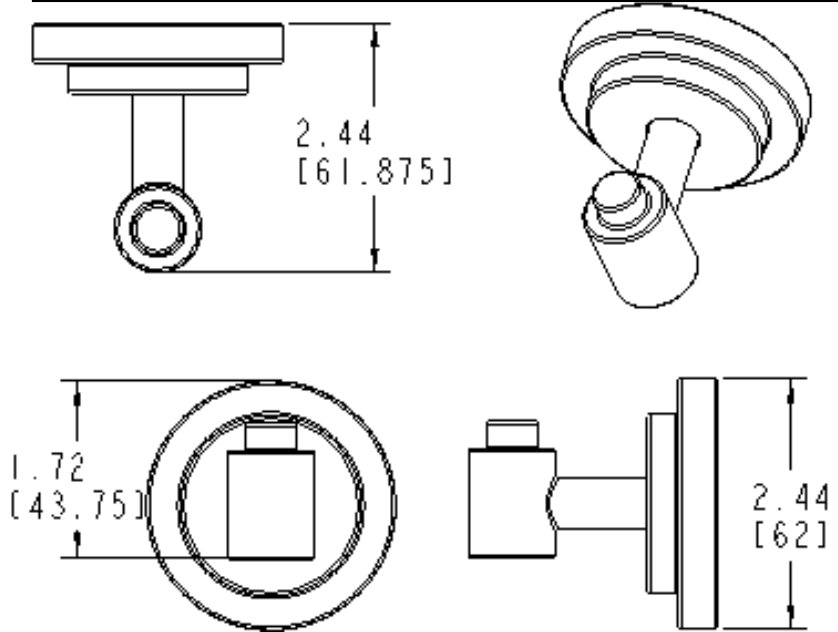
Robe Hook

DN0703

Stock Numbers:

- **DN0703BN – Robe Hook**
Brushed Nickel Finish
- **DN0703CH – Robe Hook**
Chrome Finish

Dimensions:



Materials:

Robe Hook is constructed of zinc.

Installation Instructions:

Directions below are for installation into drywall. If installing product into a stud, use the wood screws only.

1. Remove mounting posts from the product assemblies by loosening each setscrew.
2. Position the mounting plate on the wall at desired location with "UP" facing you. Mark hole locations.
3. Drill two holes as marked using a 5/16" drill bit.
4. Fold ends of the plastic toggle together and insert into each hole in the wall.
5. One at a time, insert plastic pin into each of the anchors and lightly tap to activate anchor.
6. One at a time, insert plastic pin into each of the anchors and lightly tap to activate anchor. Remove pin and repeat on other anchor.
7. Place the mounting plate on the wall over the installed wall anchors with "UP" facing you.
8. Tighten screws
9. Place decorative product over the mounting plate with the setscrew facing down. Tighten setscrew.

Cleaning Instructions:

To preserve the fine finish of this product, clean only with a soft damp cloth. Dry well. Do not use commercial or abrasive cleaners.

Stock Number: _____ **Robe Hook**
By Creative Specialties



25300 AL MOEN DRIVE • NORTH OLMSTED, OH 44070
CORPORATE HEADQUARTERS: (800) 321-8809 • FAX: (800) 848-6636
INTERNATIONAL: (440) 962-2000 • FAX: (440) 962-2726
CUSTOMER SERVICE (USA): 800-882-0116 • FAX: (888) 379-2720
WWW.MOEN.COM

©Copyright Creative Specialties International

Literature #BA1398