

### Features

- Compact one-piece intelligent toilet with integrated personal cleansing.
- Elongated bowl offers added room and comfort.
- 1.08 gallons per flush (gpf).
- Advanced personal cleansing functionality with self-cleaning wand and precision air dryer.
- Adjustable settings for heated seat, dryer and water temperature.
- Motion-activated, hands-free opening/closing seat and cover.
- LED nightlight illuminates the bowl for added convenience in dark spaces.
- Stainless steel wand offers adjustable spray shape, position, water pressure, temperature, pulsate and oscillate functions.
- English-language touchscreen LCD remote control.
- Bowl pre-mist function sprays the bowl before use for more effective rinsing after flushing.
- Self-cleaning function uses UV light and electrolyzed water systems to sanitize the wand surfaces.
- Automatic deodorizer fan reduces odors.
- Minimum static pressure of 20 psi required.

### Technology

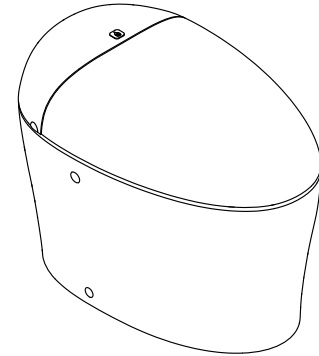
- Power Lite® flushing technology offers a powerful, water-efficient 1.08-gallon flush.
- Automatic flushing after every use; flush can also be controlled by the touchscreen remote or backup button.

### Installation

- Standard 12" rough-in.

### Components

Additional included component/s: Seat, Supply line, Power cord, and LCD remote control.



### Codes/Standards

ASME A112.19.2/CSA B45.1  
ASME A112.4.2/CSA B45.16  
DOE - Energy Policy Act 1992  
EPA WaterSense®  
California Energy Commission (CEC)  
UL 1951  
CSA C22.2 No. 14  
CSA C22.2 No. 68

### KOHLER® Intelligent Toilet and C3® Cleansing Seat Three-Year Limited Warranty

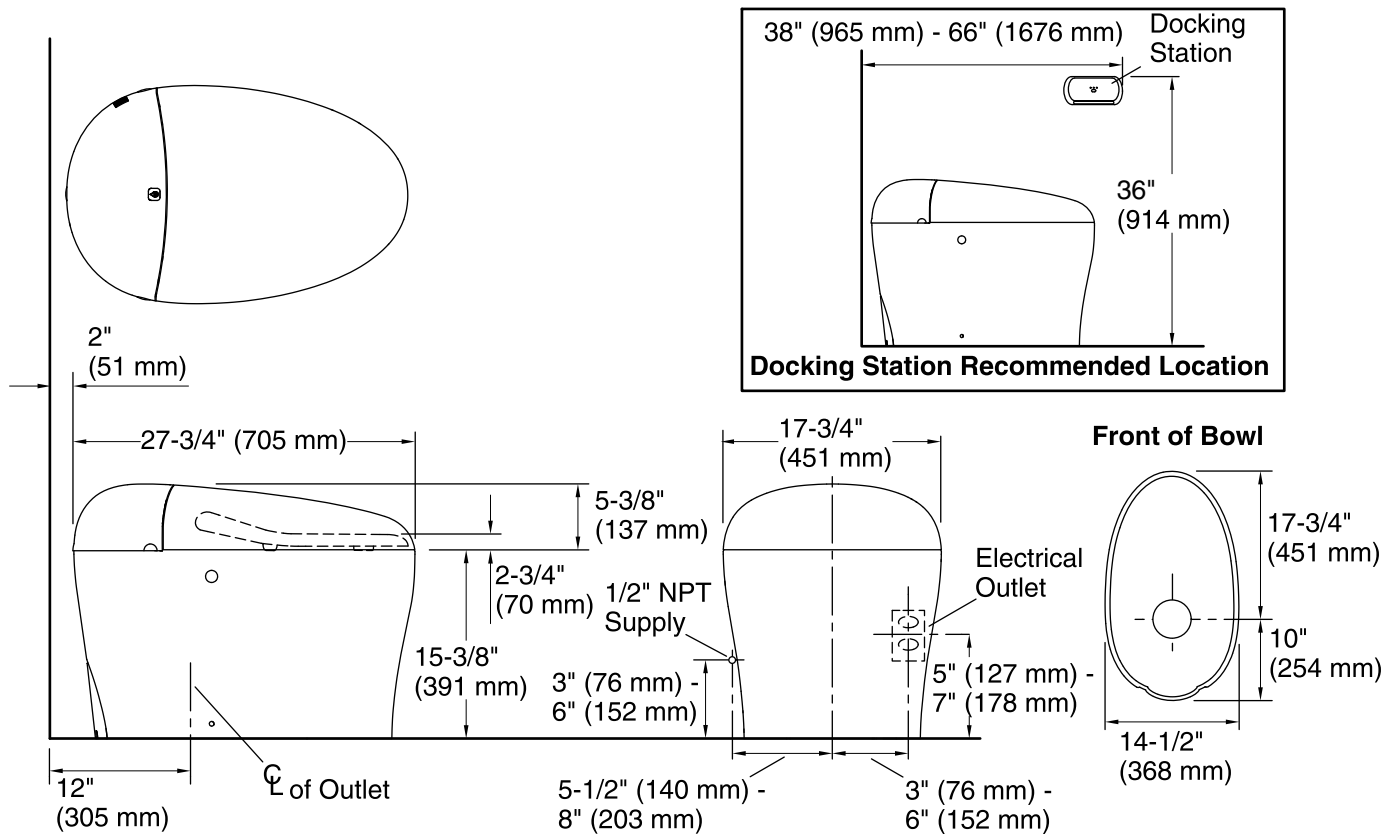
See website for detailed warranty information.

### Available Color/Finishes

*Color tiles intended for reference only.*

Color	Code	Description
-------	------	-------------

	0	White
--	---	-------



### Required Electrical Service

One dedicated circuit required, protected with Class A Ground-Fault Circuit-Interrupter (GFCI) or Residual Current Device (RCD).

120 V, 15 A, 60 Hz

### Technical Information

All product dimensions are nominal.

Toilet type: One-piece, Floor-mount

Waste Outlet: Floor

Bowl shape: Elongated

Flush type: Pressure Lite®

Trap passageway: 2-7/8" (73 mm)

Water Consumption

Full: 1 gpf (3.8 lpf)

Water surface size: 12" x 9-1/2" (305 mm x 241 mm)

Rim to water surface: 4-7/8" (124 mm)

Rough-in: 12

Seat-mounting holes: 5-1/2" (140 mm)

### Fixture Supply Requirements

Min static pressure: 20 psi (137.9 kPa)

### Notes

Install this product according to the installation instructions.

This product is designed for installation with the electrical and water supplies located through either the wall or the floor.

If the rough-in distance is less than 12" (305mm) the seat may strike the wall when it is opened.

Confirm the rough-in is 12" (305 mm) before installing the toilet.