

Features

- Grab bar provides support and safety in the bathroom.
- Premium metal construction.
- Coordinates with Components faucets and shower trim to complete your bathroom.

Material

- KOHLER finishes resist corrosion and tarnishing.

Installation

- Tools and installation template included.



ADA

Codes/Standards



ADA
ICC/ANSI A117.1

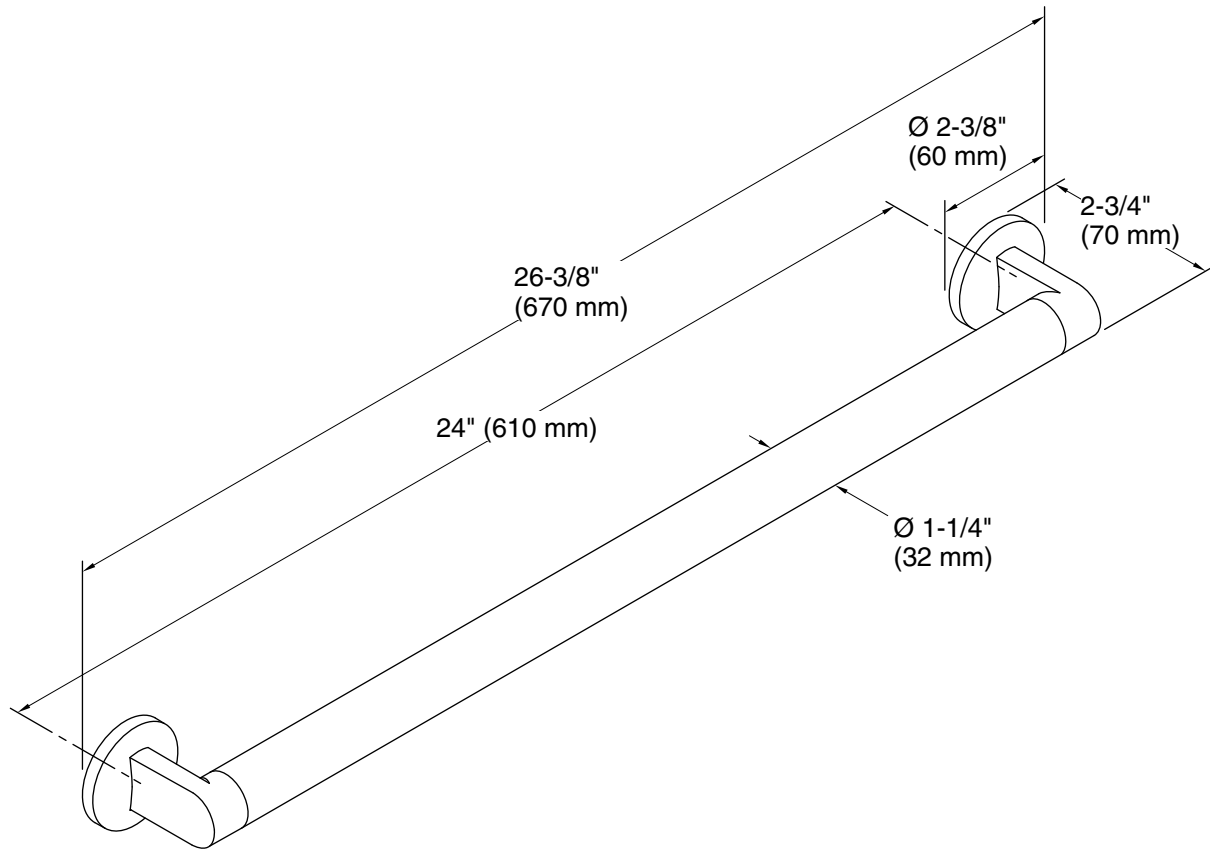
KOHLER® Faucet Lifetime Limited Warranty

See website for detailed warranty information.

Available Colors/Finishes

Color tiles intended for reference only.

Color	Code	Description
	CP	Polished Chrome
	BN	Vibrant® Brushed Nickel
	BL	Matte Black



Technical Information

All product dimensions are nominal.

Material: Zinc, Brass

Notes

Install this product according to the installation instructions.

WARNING: Risk of personal injury. The wall plates on the grab bar must be mounted to a brace between the wall studs. This will ensure that the weight of the user is adequately supported.

ADA compliant when installed to the specific requirements of these regulations.