



Linear drain side-outlet adapter K-28987

Features

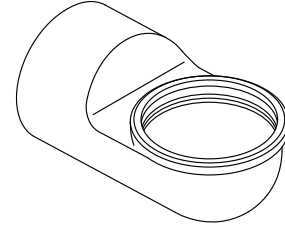
- Fits K-80646 and K-32619 adjustable linear drain channels, allowing for side drainage.
- Pre-attaches to drain pipe for simple installation, with easy access to couplings.
- Slim profile is efficient in plumbing space while handling up to 10 gpm (37.8 lpm) flow capacity (rate may vary by installation).
- High-quality, dual-seal rubber gasket ensures water-tight protection.
- Fits standard 2" no-hub rubber coupling (sold separately).

Material

- Solid-brass construction for durability and reliability.
- KOHLER finishes resist corrosion and tarnishing.

Installation

- Through the top of drain channel with threaded collar, tightened with hair strainer.

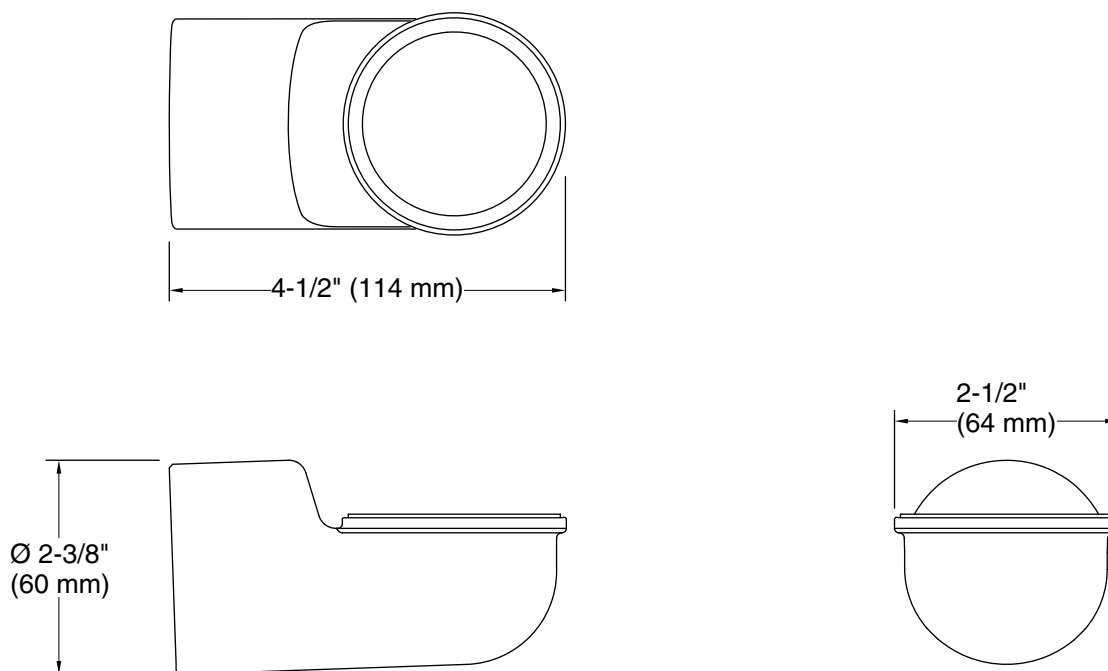


Codes/Standards

ASME A112.18.2/CSA B125.2

KOHLER® One-Year Limited Warranty

See website for detailed warranty information.



Technical Information

All product dimensions are nominal.

Material: Brass