

Features

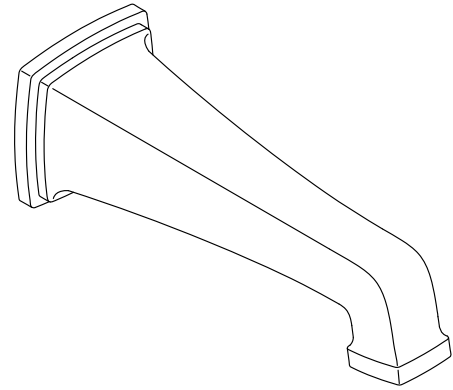
- Non-diverter spout with slip-fit connection.
- 7-13/16" (198 mm) spout reach.
- 1-1/4" (31.8 mm) max hole diameter.
- Coordinates with other products in the Riff collection.

Material

- Premium metal construction for durability and reliability.
- KOHLER finishes resist corrosion and tarnishing.

Installation

- Wall-mount.

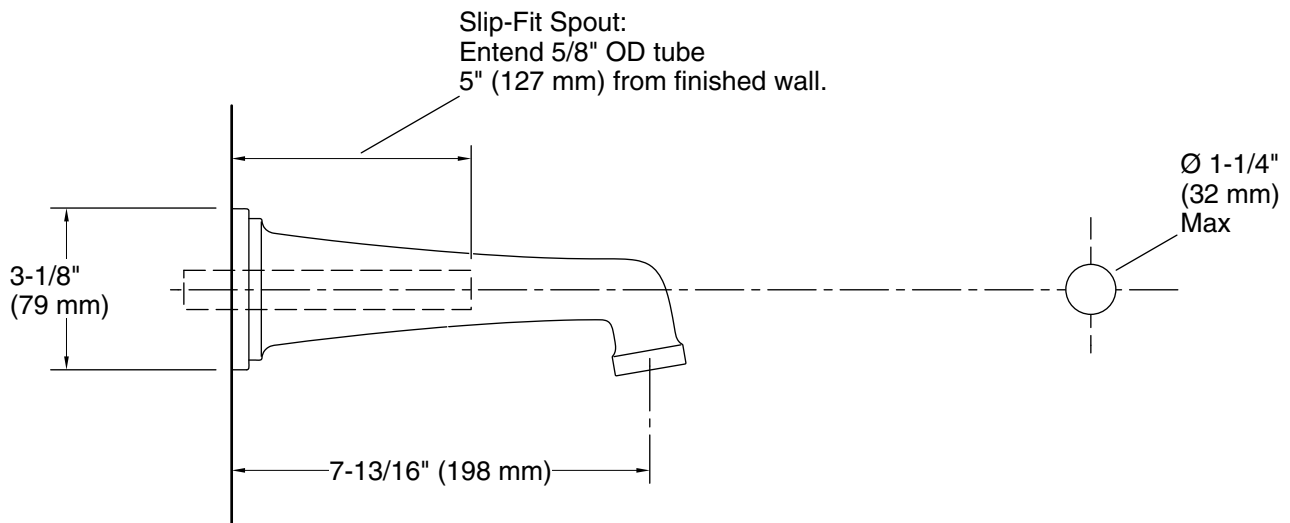


Codes/Standards

ASME A112.18.1/CSA B125.1

KOHLER® Faucet Lifetime Limited Warranty

See website for detailed warranty information.



Technical Information

All product dimensions are nominal.

Drain included: No

Spout:

Spout reach: 7-13/16" (198 mm)

Notes

Install this product according to the installation instructions.