

Features

- Includes single-function showerhead and handshower, hose, and HydroRail-S shower column with handshower holder.
- Designed for new installations or retrofit to replace an existing installed shower arm.
- Diverter positioned at the base of the column makes for easy toggling between the handshower and rainhead.
- Slidebar bracket allows you to adjust the height and angle of the handshower.
- Full Coverage with Katalyst technology delivers a drenching spray experience, ideal for rinsing shampoo from hair.
- MasterClean™ sprayface features an easy-to-clean surface that withstands mineral buildup.
- Optimized sprayface for consistent spray coverage.
- 1.75 gpm (6.6 lpm) maximum flow rate at 80 psi (5.5 bar).
- Part of the Occasion bathroom faucet and accessory collection.

Material

- Premium material construction for durability and reliability.
- KOHLER finishes resist corrosion and tarnishing.

Technology

- Katalyst® air-induction technology infuses water with air, creating bigger drops for a more powerful spray.

Installation

- Shower-only wall-mount installation.
- Installs in less than 60 minutes without changes to in-wall plumbing (subject to condition of existing installation).
- Includes an adapter that fits most installations.
- May require additional service parts based on installation type (see installation guide for details).
- 1/2 -14 NPT connection.

Water Conservation & Rebates

- This product can help a building earn Water Efficiency points in LEED® Green Building Rating System.

Adapters, Rough-in and Extension Kits

1187917	Range: 0" (0 mm) - 1-3/8" (35 mm)
1194302	Range: 1-1/8" (29 mm) - 2-1/8" (54 mm)
1194630	Range: 2-7/8" (73 mm) - 4" (102 mm)

Recommended Products/Accessories

K-23723 Faucet cleaner



Codes/Standards

ASME A112.18.1/CSA B125.1
DOE - Energy Policy Act 1992
EPA WaterSense®
California Energy Commission (CEC)

KOHLER® Faucet Lifetime Limited Warranty

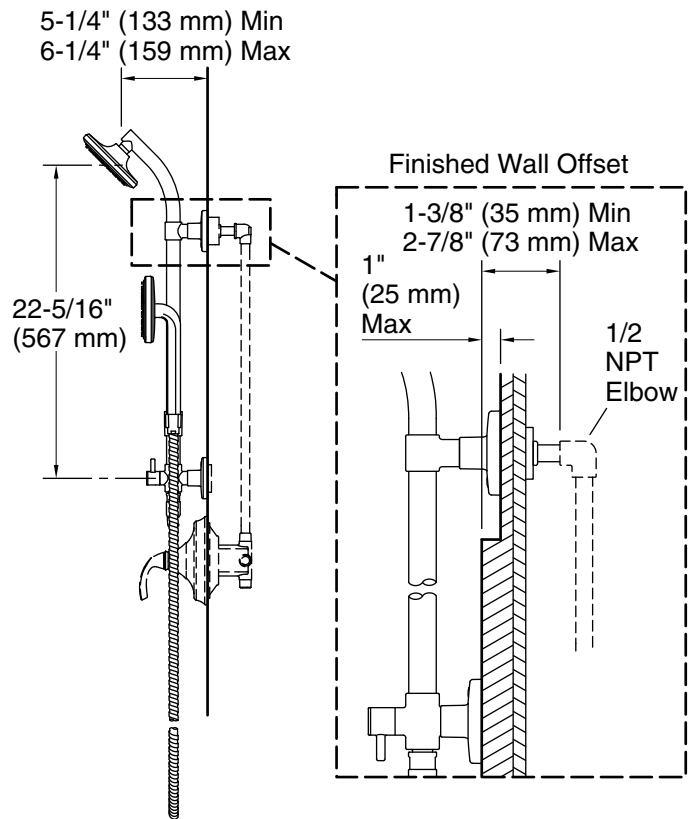
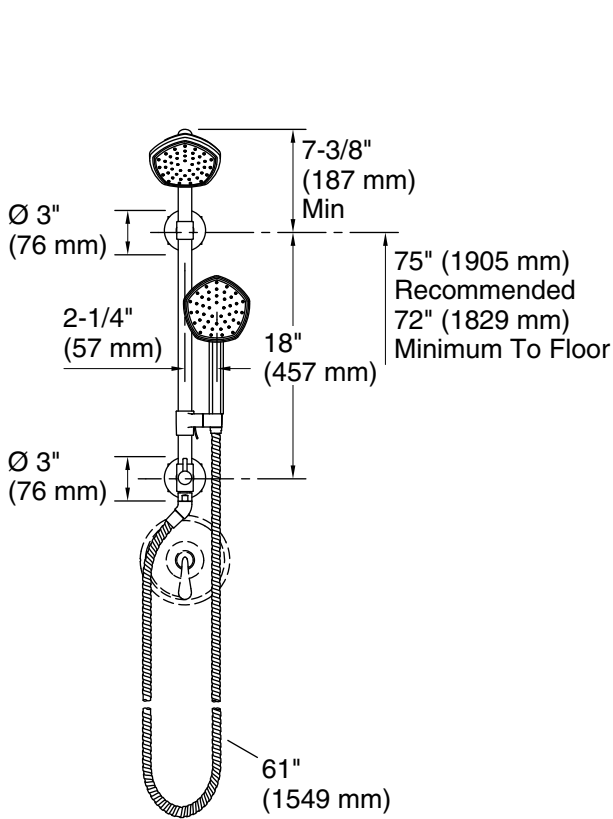
See website for detailed warranty information.

Available Colors/Finishes

Color tiles intended for reference only.

Color Code Description

CP
SN
BN
BL
2MB



Technical Information

All product dimensions are nominal.

Drain included: No

Handshower:

Rated maximum flow: 1.75 gal/min (6.6 l/min)

Pressure: 80 psi (5.5 bar)

Showerhead/Body Spray:

Rated maximum flow: 1.75 gal/min (6.6 l/min)

Pressure: 80 psi (5.5 bar)