

Features

- Wide coverage spray produces an encompassing spray for everyday use.
- 1.5 gpm (5.7 lpm) maximum flow rate handshower allows you to save water without sacrificing performance or coverage.
- Variable-flow lever lets you adjust from 1.5 gpm (5.7 lpm) down to 0.5 gpm (1.9 lpm) water pause for greater conservation during your shower routine.
- Soft silicone sprayface is easy to clean.
- Magnetic docking securely holds the handshower in place when paired with the Statement VES handshower holder and supply elbow.

Material

- KOHLER finishes resist corrosion and tarnishing.

Technology

- Katalyst® air-induction technology infuses water with air, creating bigger drops for a more powerful spray.

Installation

- Bracket or slidebar required for wall-mount installation.
- Deck-mount holder required for deck-mount installation.

Water Conservation & Rebates

- This product can help a building earn Water Efficiency points in LEED® Green Building Rating System.

Recommended Products/Accessories

- K-21051 Wall-mount handshower holder and supply elbow
- K-21049 60" shower hose
- K-21050 72" shower hose
- K-23723 Faucet cleaner



Codes/Standards




ASME A112.18.1/CSA B125.1
DOE - Energy Policy Act 1992
EPA WaterSense®
California Energy Commission (CEC)
ADA
ICC/ANSI A117.1
CSA B651
OBC

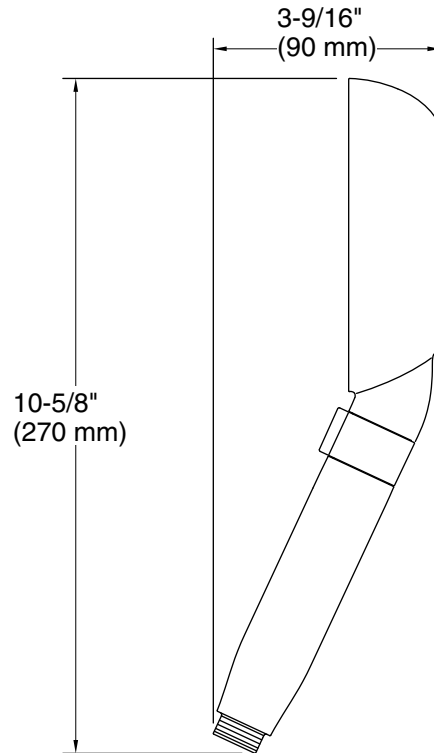
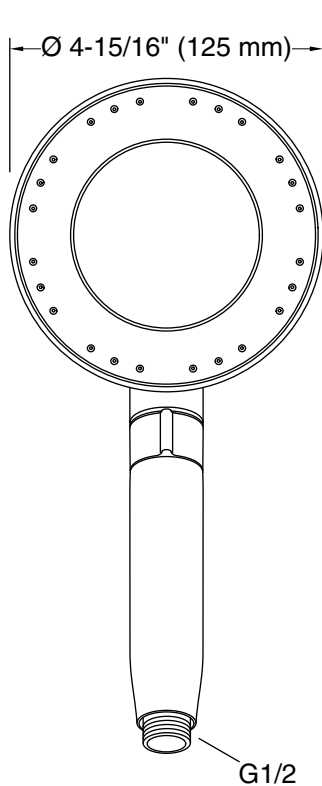
KOHLER® Faucet Lifetime Limited Warranty

See website for detailed warranty information.

Available Colors/Finishes

Color tiles intended for reference only.

| Color | Code | Description |
|---|------|-------------------------|
|  | CP | Polished Chrome |
|  | BN | Vibrant® Brushed Nickel |
|  | BL | Matte Black |



Technical Information

All product dimensions are nominal.

Handshower:

Rated maximum flow: 1.5 gal/min (5.7 l/min)
Pressure: 45 psi (3.1 bar)

Notes

ADA, OBC, CSA B651 compliant when installed to the specific requirements of these regulations.