

Features

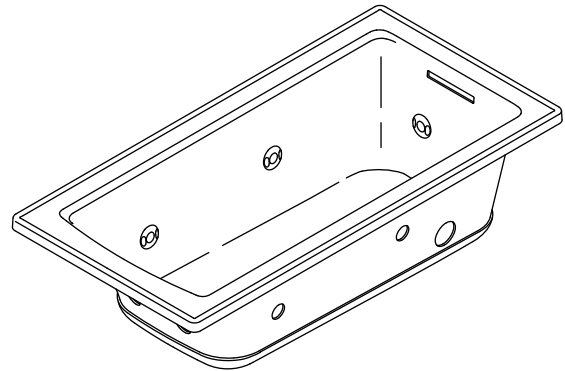
- ExoCrylic™
- 8 color-matched Kohler hydro-massage jets
- Pump with air switch and grounding-type plug-in cord
- Slotted overflow for maximum bathing depth
- Low threshold height
- Bask™ heated surface with three temperature settings
- Drop-in installation [K-1947-W1] or integral flange alcove installation [K-1947-LW and K-1947-RW]
- Reversible drain [K-1947-W1] or left/right drain [K-1947-LW and K-1947-RW]
- 60" (1524 mm) x 30" (762 mm) x 19" (483 mm) [K-1947-W1]
- 60" (1524 mm) x 30" (762 mm) x 20-1/4" (514 mm) [K-1947-LW, K-1947-RW]

5' BATH WHIRLPOOL WITH BASK™

K-1947-W1

ALSO K-1947-LW, K-1947-RW

ADA



Codes/Standards Applicable

Specified model meets or exceeds the following:

- ADA
- ICC/ANSI A117.1
- CSA B45.5/IAPMO Z124
- CSA C22.2 No 218.2
- ASME A112.19.7/CSA B45.10
- UL 1795
- NMJ-J-521

Colors/Finishes

- 0: White
- Other: Refer to Price Book for additional colors/finishes

Accessories

- CP: Polished Chrome
- Other: Refer to Price Book for additional colors/finishes

Specified Model

Model	Description	Colors/Finishes	
K-1947-W1	5' bath whirlpool with Bask – drop-in (shown)	<input type="checkbox"/> 0	<input type="checkbox"/> Other_____
K-1947-LW	5' bath whirlpool with Bask – 3-side integral flange, left drain	<input type="checkbox"/> 0	<input type="checkbox"/> Other_____
K-1947-RW	5' bath whirlpool with Bask – 3-side integral flange, right drain	<input type="checkbox"/> 0	<input type="checkbox"/> Other_____
Required Accessories			
K-7271	Clearflo slotted overflow brass bath drain OR	<input type="checkbox"/> CP	<input type="checkbox"/> Other_____
K-7272	Clearflo slotted overflow bath drain – PVC pipe	<input type="checkbox"/> CP	<input type="checkbox"/> Other_____

Product Specification

The ExoCrylic bath whirlpool shall be 60" (1524 mm) in length, 30" (762 mm) in width, and 19" (483 mm) in height [K-1947-W1], or 60" (1524 mm) in length, 30" (762 mm) in width, and 20-1/4" (514 mm) in height [K-1947-LW, K-1947-RW]. Bath whirlpool shall feature Bask heated lumbar support with three temperature settings. Bath whirlpool shall feature 8 color-matched jets, and a pump with air switch and grounding-type plug-in cord. Bath whirlpool shall have slotted overflow for maximum bathing depth and low threshold height. Bath whirlpool shall be for drop-in [K-1947-W1] or integral flange alcove [K-1947-LW and K-1947-RW]. Bath whirlpool shall have reversible drain [K-1947-W1] or left/right drain [K-1947-LW and K-1947-RW]. Bath whirlpool shall be Kohler Model K-1947-_____-_____.

ARCHER®

Technical Information

Fixture: Approximate measurements for comparison only.			
Bathing well			
Basin area, bottom	45-1/8" (1146 mm) x 19-11/16" (500 mm)		
Basin area, top	52-1/8" (1324 mm) x 22-1/16" (560 mm)		
Weight	108 lbs (48.9 kg)		
To overflow			
Water depth	15-1/8" (384 mm)		
Capacity	57 gal (215.7 L)		
Drop-in cutout 58-1/2" (1486 mm) x 28-1/2" (724 mm)			
	V	Hz	A
1-speed pump	120	60	7
Heated surface	120	60	0.5

Required Electrical Service

Dedicated circuit required, protected with a Class A Ground-Fault Circuit-Interrupter (GFCI):	
Pump/control/heated surface	120 V, 15 A, 60 Hz

Installation Notes

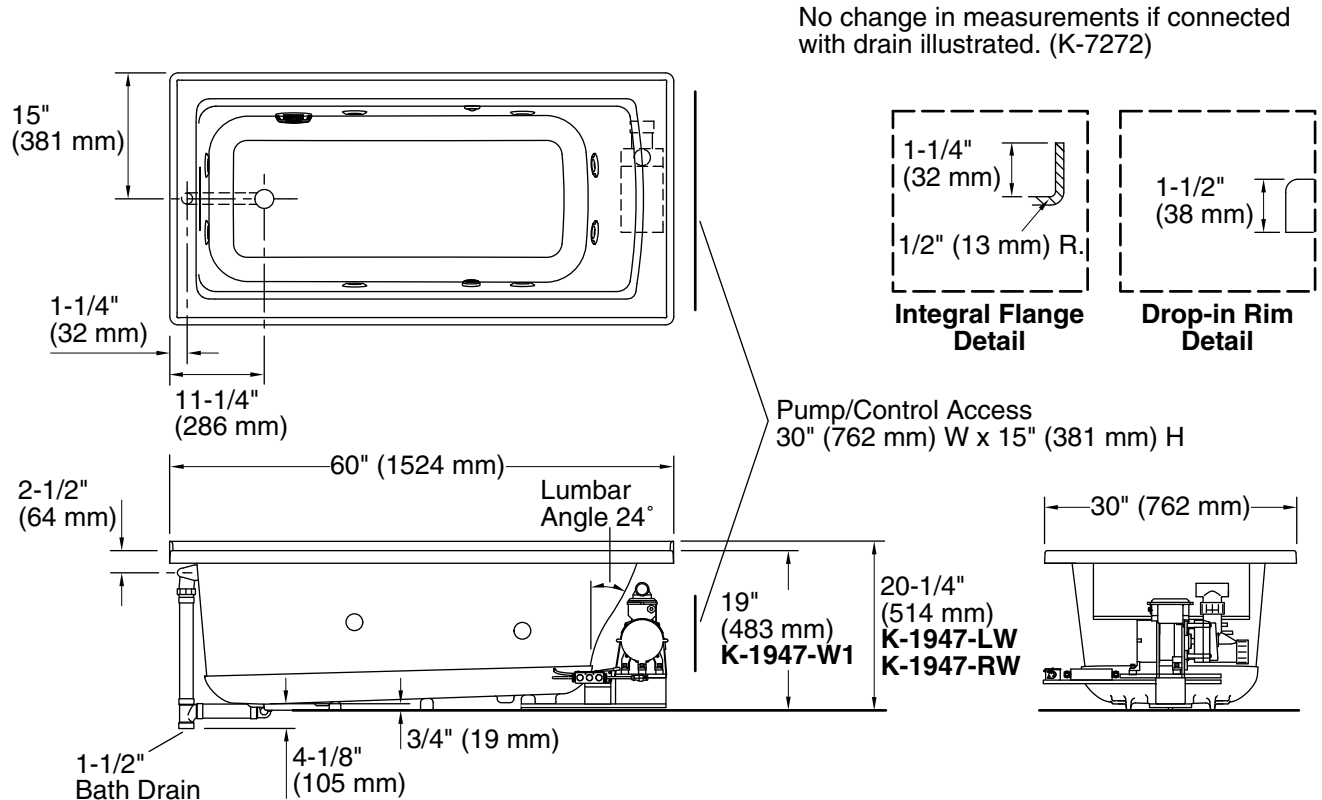
Install this product according to the installation guide.

Locate a GFCI-protected 120 V, 15 A, grounded duplex electrical outlet within 24" (610 mm) of the bath junction box. A 40" (1016 mm) cable is included.

Floor support under this product must provide for a minimum of 48.7 lbs/square foot (238 kg/square meter) loading.

The hot water supply should be 70% of the capacity of the bath or greater. Installations will vary.

Will comply with **ADA** when installed per Section 607 Bathtubs of the ADA 2010 Standards for Accessible Design.



Product Diagram