



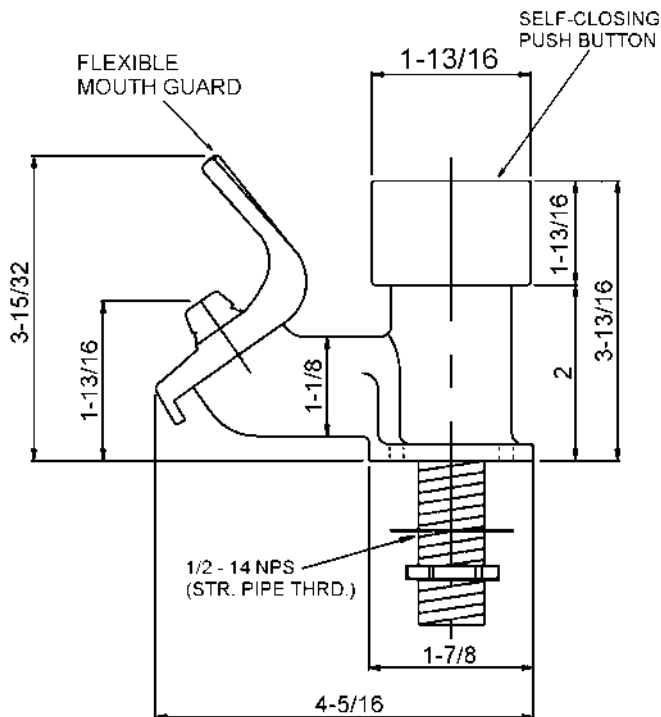
**FAUCET GROUP**

**JSB-10-FLX**

**LEAD-FREE BUBBLER  
with FLEXIBLE MOUTH GUARD**



**SUBMITTAL DATA**



**TECHNICAL DATA  
CONSTRUCTION:**

- Antimicrobial flexible mouth-guard (replaceable)
- Self closing, push button controlled
- Features totally lead-free construction
- Cast 304 stainless steel body and push button activator
- Stainless steel nipple
- Stainless steel replaceable regulator cartridge
- Adjustable flow regulator
- Conforms with ANSI standard 112.18.1
- NSF Certified to:
  - \* NSF/ANSI 61/9 - Annex G
  - \* AB1953 Compliant

**FINISH**  
Highly buffed/mirror

**FLOW RATE**  
Variable

**A.D.A. COMPLIANT**  
Yes

**VARIANTS**  
JSB-10-FLX-VR = Vandal resistant JSB-10-FLX

JUST MFG. COMPANY CONTINUES TO MAKE QUALITY AND FUNCTIONALITY A MARK OF THE JUST PRODUCT LINE. TO DO SO REQUIRES THAT WE RESERVE THE RIGHT TO CHANGE PRODUCT INFORMATION WITHOUT NOTICE. DIMENSIONS MAY VARY AND ARE SUBJECT TO CHANGE WITHOUT NOTICE. NO RESPONSIBILITY IS ASSUMED FOR USE OF SUPERCEDED OR VOIDED DATA. FOR THE MOST CURRENT AND ACCURATE INFORMATION REGARDING THE COMPLETE LINE OF JUST SINKS, FAUCETS AND DRAINS, CLICK ON THE **SPEC LINE DRAWINGS** LINK ON OUR WEB SITE AT [www.justmfg.com](http://www.justmfg.com)

**OPTIONS  
NONE**

Job Name _____
Customer _____
Architect/Engineer _____
<b>APPROVED FOR MANUFACTURING</b>
. O N L E D O M . Y T Q _____
COMPANY _____
E L T I T _____ E T A D _____
SIGNATURE _____

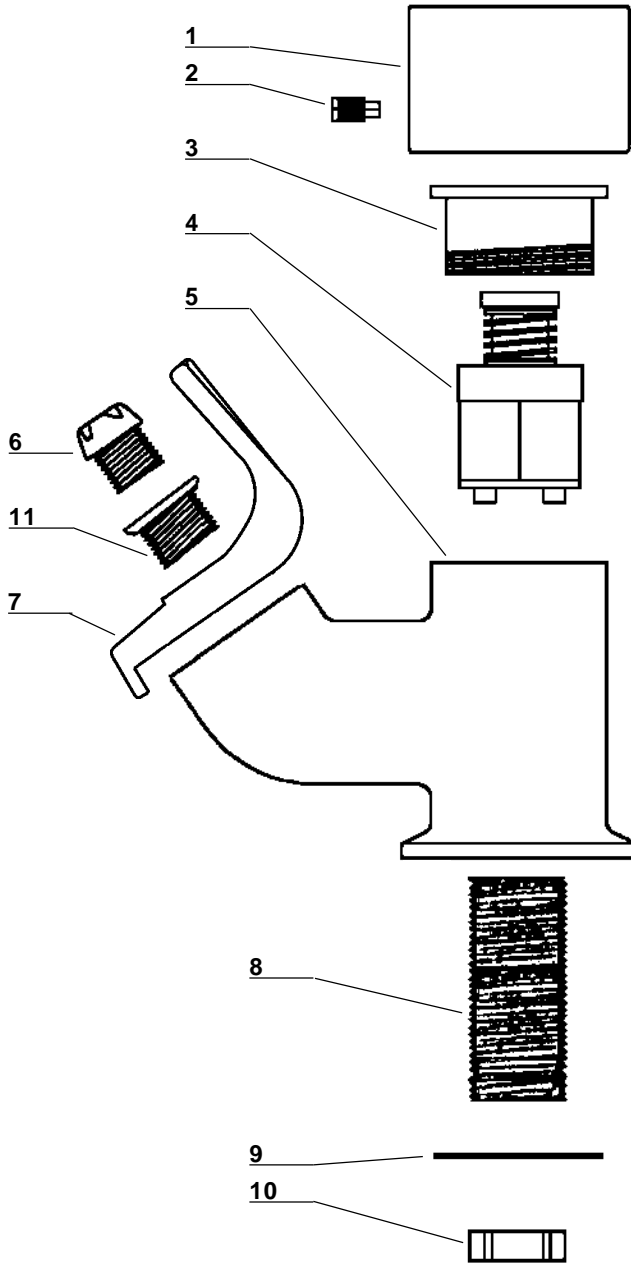
REVISED-2013

<b>JUST MANUFACTURING COMPANY</b>
9233 KING STREET . FRANKLIN PARK . ILLINOIS . 60131-2111
PH: 847-678-5150 . FAX: 847-678-6817
E-MAIL: <a href="mailto:custserv@justmfg.com">custserv@justmfg.com</a> . <a href="http://www.justmfg.com">www.justmfg.com</a>



**FAUCET GROUP**

**LEAD-FREE BUBBLER  
with FLEXIBLE MOUTH GUARD**



Item No.	Part No.	Description
1	JC-101	Stainless Steel Push Activator
2	JC-102	Set Screw
3	JC-115	Retainer
4	JC-150	Cartridge - stainless steel
5	- -	Cast Stainless Steel Body (not available separately)
6	JC-118	Orifice Assembly
7	JC-117	Flexible mouth guard
8	- -	Nipple - Stainless Steel (not available separately)
9	JC-112	Washer
10	JC-111	Nut
11	JC-120	Guard hold-down

JUST MFG. COMPANY CONTINUES TO MAKE QUALITY AND FUNCTIONALITY A MARK OF THE JUST PRODUCT LINE. TO DO SO REQUIRES THAT WE RESERVE THE RIGHT TO CHANGE PRODUCT INFORMATION WITHOUT NOTICE. DIMENSIONS MAY VARY AND ARE SUBJECT TO CHANGE WITHOUT NOTICE. NO RESPONSIBILITY IS ASSUMED FOR USE OF SUPERCEDED OR VOIDED DATA. FOR THE MOST CURRENT AND ACCURATE INFORMATION REGARDING THE COMPLETE LINE OF JUST SINKS, FAUCETS AND DRAINS, CLICK ON THE **SPEC LINE DRAWINGS** LINK ON OUR WEB SITE AT [www.justmfg.com](http://www.justmfg.com)

**JUST MANUFACTURING COMPANY**  
 9233 KING STREET . FRANKLIN PARK, ILLINOIS . 60131-2111  
 PH: 847-678-5150 . FAX: 847-678-6817  
 E-MAIL: [custserv@justmfg.com](mailto:custserv@justmfg.com) . [www.justmfg.com](http://www.justmfg.com)