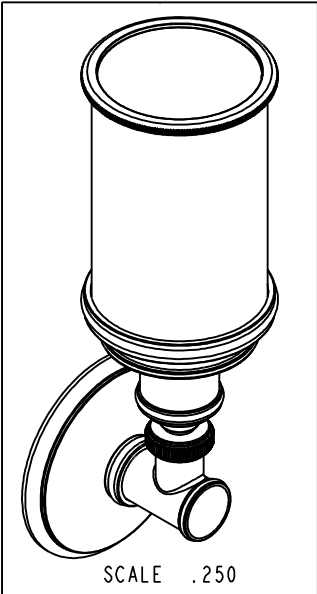
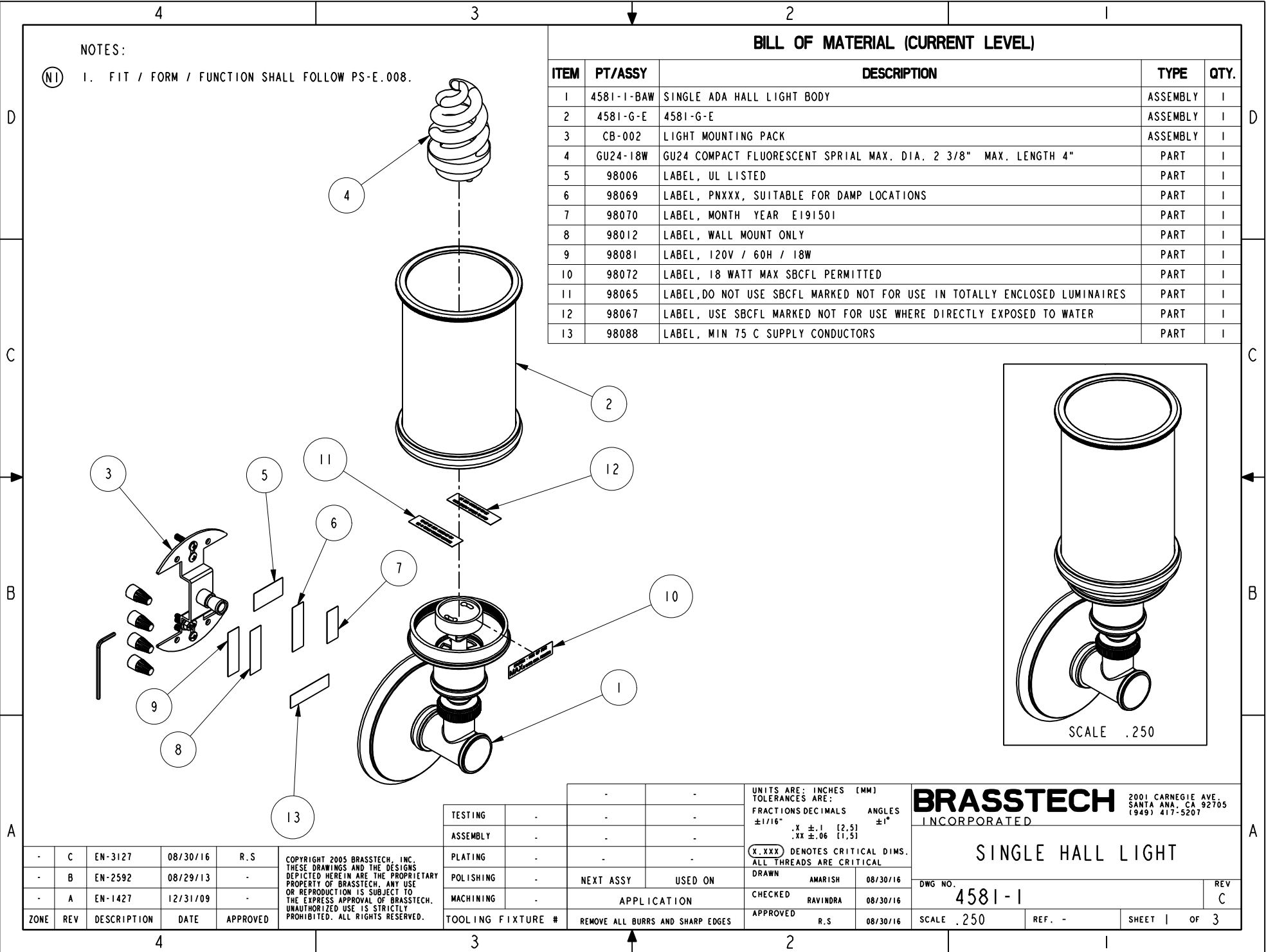


NOTES:

(N1) 1. FIT / FORM / FUNCTION SHALL FOLLOW PS-E.008.

BILL OF MATERIAL (CURRENT LEVEL)

ITEM	PT/ASSY	DESCRIPTION	TYPE	QTY.
1	4581-1-BAW	SINGLE ADA HALL LIGHT BODY	ASSEMBLY	1
2	4581-G-E	4581-G-E	ASSEMBLY	1
3	CB-002	LIGHT MOUNTING PACK	ASSEMBLY	1
4	GU24-18W	GU24 COMPACT FLUORESCENT SPRIAL MAX. DIA. 2 3/8" MAX. LENGTH 4"	PART	1
5	98006	LABEL, UL LISTED	PART	1
6	98069	LABEL, PNXXX, SUITABLE FOR DAMP LOCATIONS	PART	1
7	98070	LABEL, MONTH YEAR E191501	PART	1
8	98012	LABEL, WALL MOUNT ONLY	PART	1
9	98081	LABEL, 120V / 60H / 18W	PART	1
10	98072	LABEL, 18 WATT MAX SBCFL PERMITTED	PART	1
11	98065	LABEL, DO NOT USE SBCFL MARKED NOT FOR USE IN TOTALLY ENCLOSED LUMINAIRES	PART	1
12	98067	LABEL, USE SBCFL MARKED NOT FOR USE WHERE DIRECTLY EXPOSED TO WATER	PART	1
13	98088	LABEL, MIN 75 C SUPPLY CONDUCTORS	PART	1



TESTING	-	-	-
ASSEMBLY	-	-	-
PLATING	-	-	-
POLISHING	-	NEXT ASSY	USED ON
MACHINING	-	APPLICATION	
TOOLING FIXTURE #	REMOVE ALL BURRS AND SHARP EDGES		

UNITS ARE: INCHES [MM]	
TOLERANCES ARE:	
FRACTIONS	DECIMALS
±1/16"	.X ±.1 [2,5]
	.XX ±.06 [1,3]
(X.XXX) DENOTES CRITICAL DIMS.	
ALL THREADS ARE CRITICAL	
DRAWN	AMARISH 08/30/16
CHECKED	RAVINDRA 08/30/16
APPROVED	R.S 08/30/16

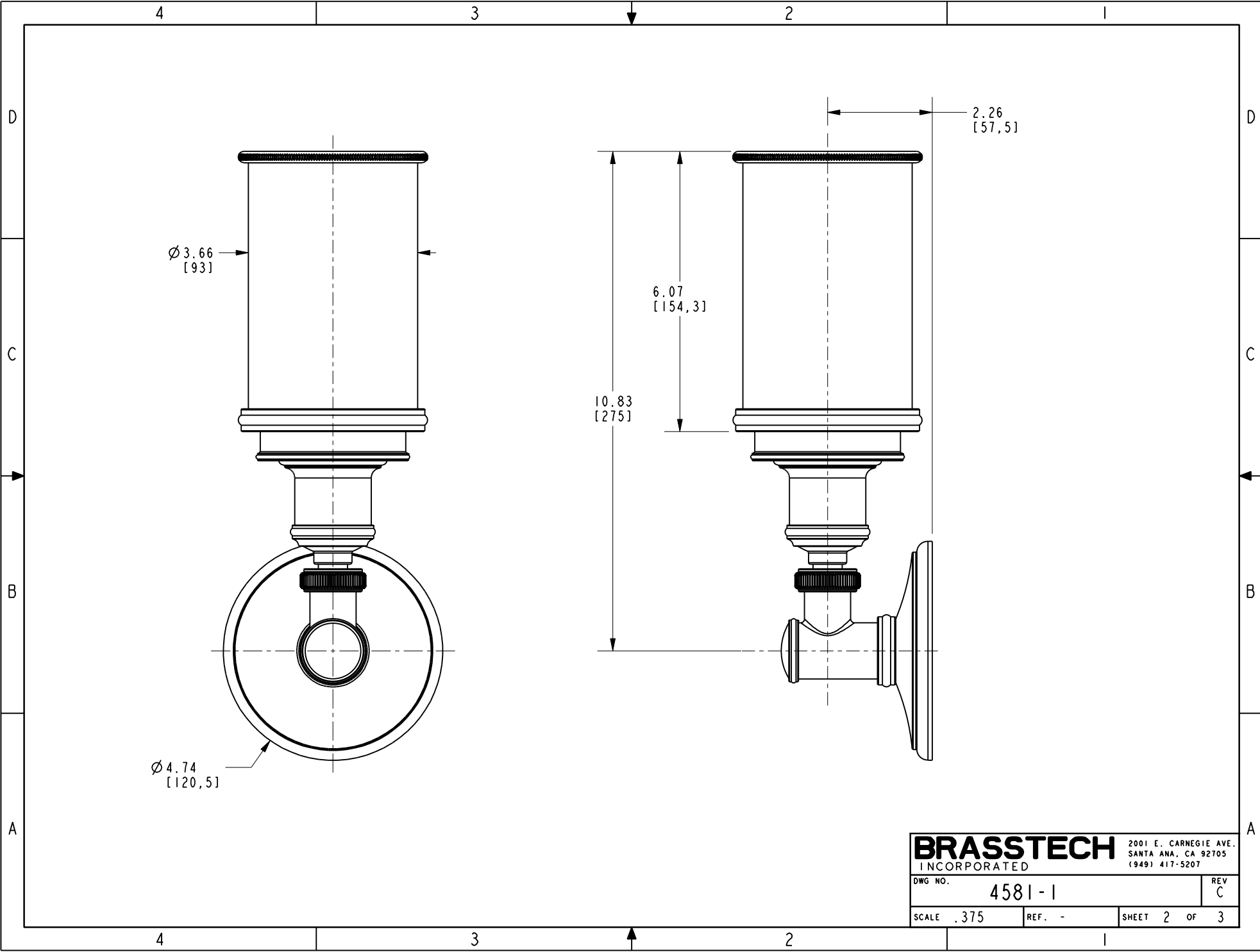
BRASSTECH 2001 CARNEGIE AVE.
INCORPORATED SANTA ANA, CA 92705
(949) 417-5207

SINGLE HALL LIGHT

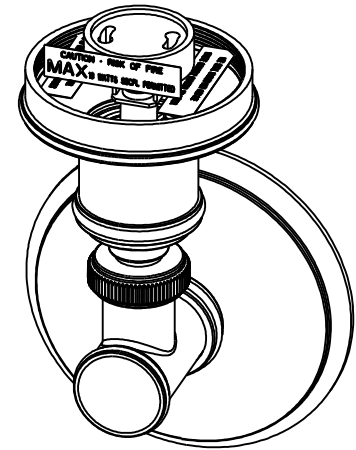
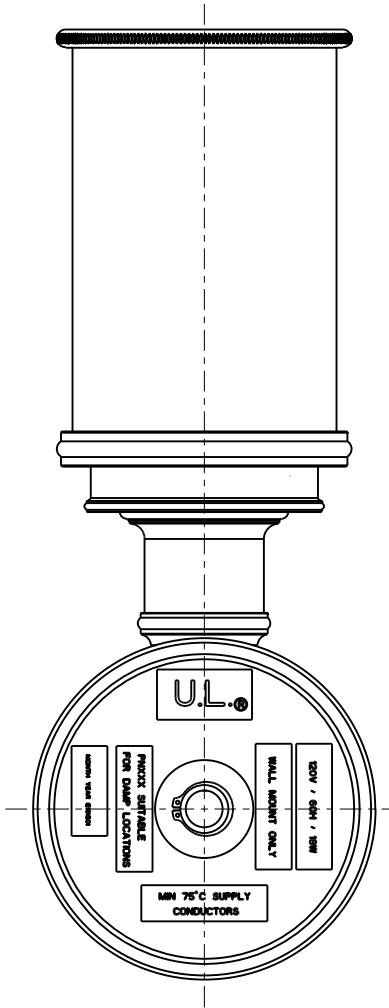
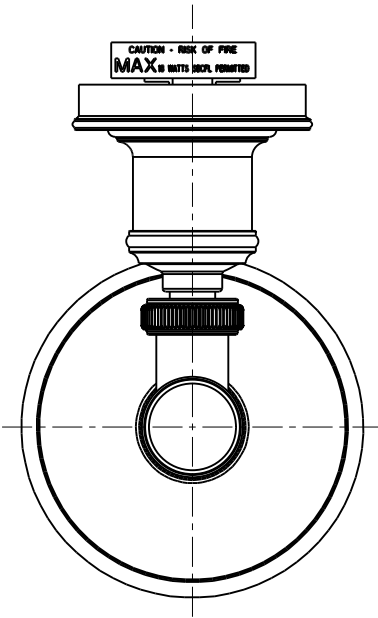
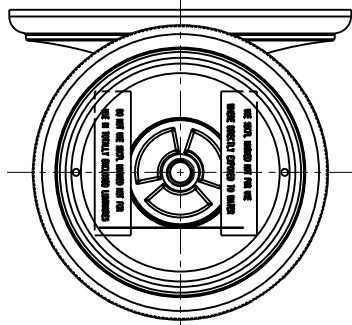
DWG NO. 4581-1 REV C

SCALE .250 REF. - SHEET 1 OF 3

-	C	EN-3127	08/30/16	R.S	COPYRIGHT 2005 BRASSTECH, INC. THESE DRAWINGS AND THE DESIGNS DEPICTED HEREIN ARE THE PROPRIETARY PROPERTY OF BRASSTECH. ANY USE OR REPRODUCTION IS SUBJECT TO THE EXPRESS APPROVAL OF BRASSTECH. UNAUTHORIZED USE IS STRICTLY PROHIBITED. ALL RIGHTS RESERVED.
-	B	EN-2592	08/29/13	-	
-	A	EN-1427	12/31/09	-	
ZONE	REV	DESCRIPTION	DATE	APPROVED	



BRASSTECH		2001 E. CARNEGIE AVE.
INCORPORATED		SANTA ANA, CA 92705
		(949) 417-5207
DWG NO.	4581-1	REV C
SCALE .375	REF. -	SHEET 2 OF 3



BRASSTECH		2001 E. CARNEGIE AVE.
INCORPORATED		SANTA ANA, CA 92705
		(949) 417-5207
DWG NO.	4581-1	REV C
SCALE .375	REF. -	SHEET 3 OF 3