

ELKAY® SPECIFICATIONS

Hand Wash-Up Sink with Pedestal and Sensor Faucet – AC or Battery Powered Models CHSP1716SAC and CHSP1716SB Series

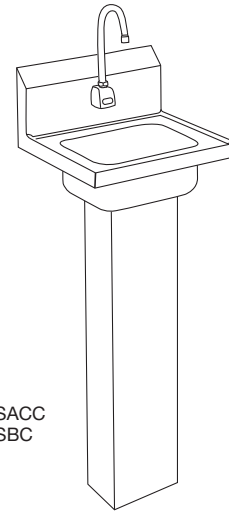
GENERAL

CHSP1716 Type 304 (18-8) stainless steel hand wash-up sink. Basin has 1-3/4" (45mm) radius coved corners. Full length 7" (178mm) high backsplash. Exposed surfaces have a brushed finish. Furnished with stainless steel pedestal and wall hanger. Carries NSF International Certification.

(CHECK MODEL SPECIFIED)

MODEL	FAUCET	DRAIN	TRAP	MIXING VALVE
□ CHSP1716SACC	LK722AC	LK8	LK500	NONE
□ CHSP1716SACMC	LK722AC	LK8	LK500	LK724
□ CHSP1716SACTMC	LK722AC	LK8	LK500	LK723
□ CHSP1716SBC	LK722B	LK8	LK500	NONE
□ CHSP1716SBMC	LK722B	LK8	LK500	LK724
□ CHSP1716SBTMC	LK722B	LK8	LK500	LK723

LK722AC Sensor-operated, non-mixing (tempered water), backsplash-mounted gooseneck faucet with adjustable sensor eyes. A continuous beam is emitted from sensor. The sensor faucet is activated by user placing hands under the spout. Tempered water will flow as long as hands remain within sensor range. When hands are removed, the water stops automatically based on shut off delay settings. The sensor then resets and is ready for the next user. AC powered, chrome plated - solid brass body construction and 12-3/4" (324mm) high (bottom of base to top of spout) 8-3/4" (222mm) from aerator to base, 5-3/8" (137mm) reach C.P. spout with 2.0 gpm laminar flow control on spout end. Includes vandal-resistant, water-resistant sensor control module with armored vandal-resistant control and power cables. 12V DC plug-in voltage adapter, slow-closing piston operated solenoid valve, in-line filter with clean out trap, and 3/8" (10mm) copper fittings for supply tube furnished by contractor. Control circuit is solid state, has



Model CHSP1716SACC
Model CHSP1716SBC
(Pedestal Mount)

adjustable sensor range (6" [152mm] preset to 30" [762mm]), shut off delay preset at 1 second and field adjustable to 2, 4 or 8 seconds, and automatic time-out feature (to prevent sink overflow) is preset at 0 seconds and is field adjustable to 15, 30 or 60 seconds.

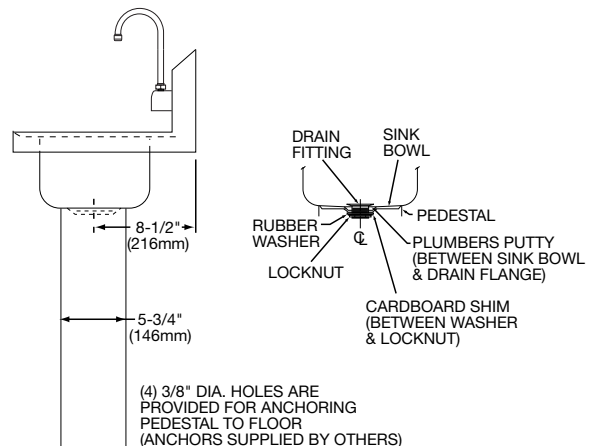
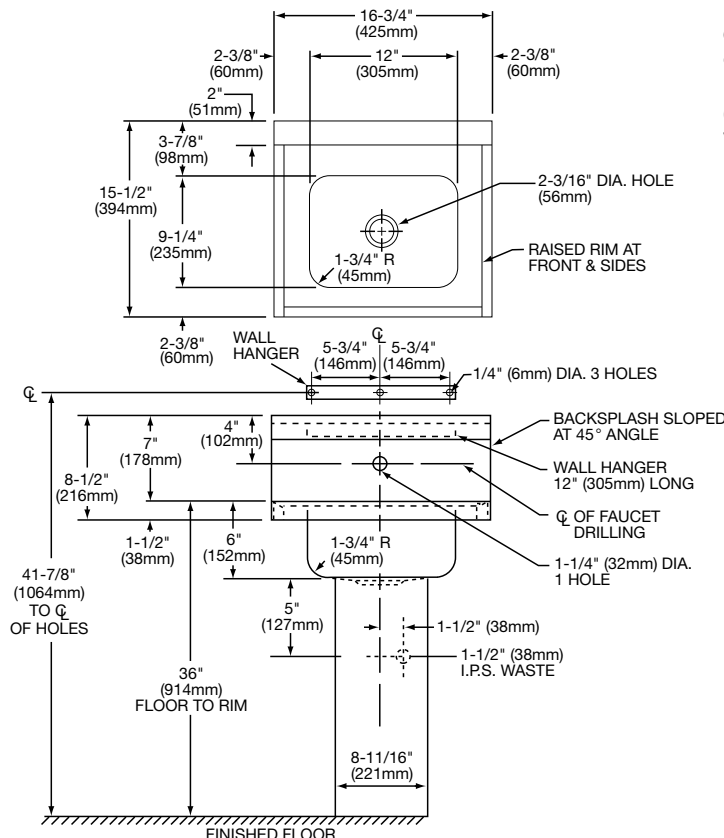
LK722B Same as LK722AC except battery powered and has a battery holder with (4) AA batteries.

LK8 Chrome plated grid strainer with 1-1/2" (38mm) O.D. tailpiece.

LK500 Satin chrome cast brass "P" trap with cleanout, chrome plated 1-1/2" (38mm) O.D. tubing waste arm to wall, and wall flange.

LK723 Anti-scald thermostatic mixing valve with nickel-plated brass body 1/2" (13mm) SWT inlets and outlet connections, check valves on inlets and a mixed temperature range of 80°- 120°F. Certified under ASSE1016.

LK724 Mechanical mixing valve with C.P. brass body, 3/8" (10mm) compression inlets and outlet connections, and check valves on inlets.



In keeping with our policy of continuing product improvement, Elkay reserves the right to change product specifications without notice.

