

Model# 0364-L

Drinking Faucet

FEATURES & SPECIFICATIONS

- Self-Close Lever Handle
- 1/2-14 NPS Male Thread
- Replaceable Seat

FINISHES

- PC Polished Chrome

STANDARDS

- ASME A112.18.1
- ANSI / NSF 61, SECTION 9
- CUPC / IAPMO LISTED
- CONTAINS NO MORE THAN 0.25% WEIGHTED AVERAGE LEAD CONTENT



WARRANTY

- Lifetime Limited Warranty
- Lifetime Residential Warranty
- 5 Year Commercial Warranty

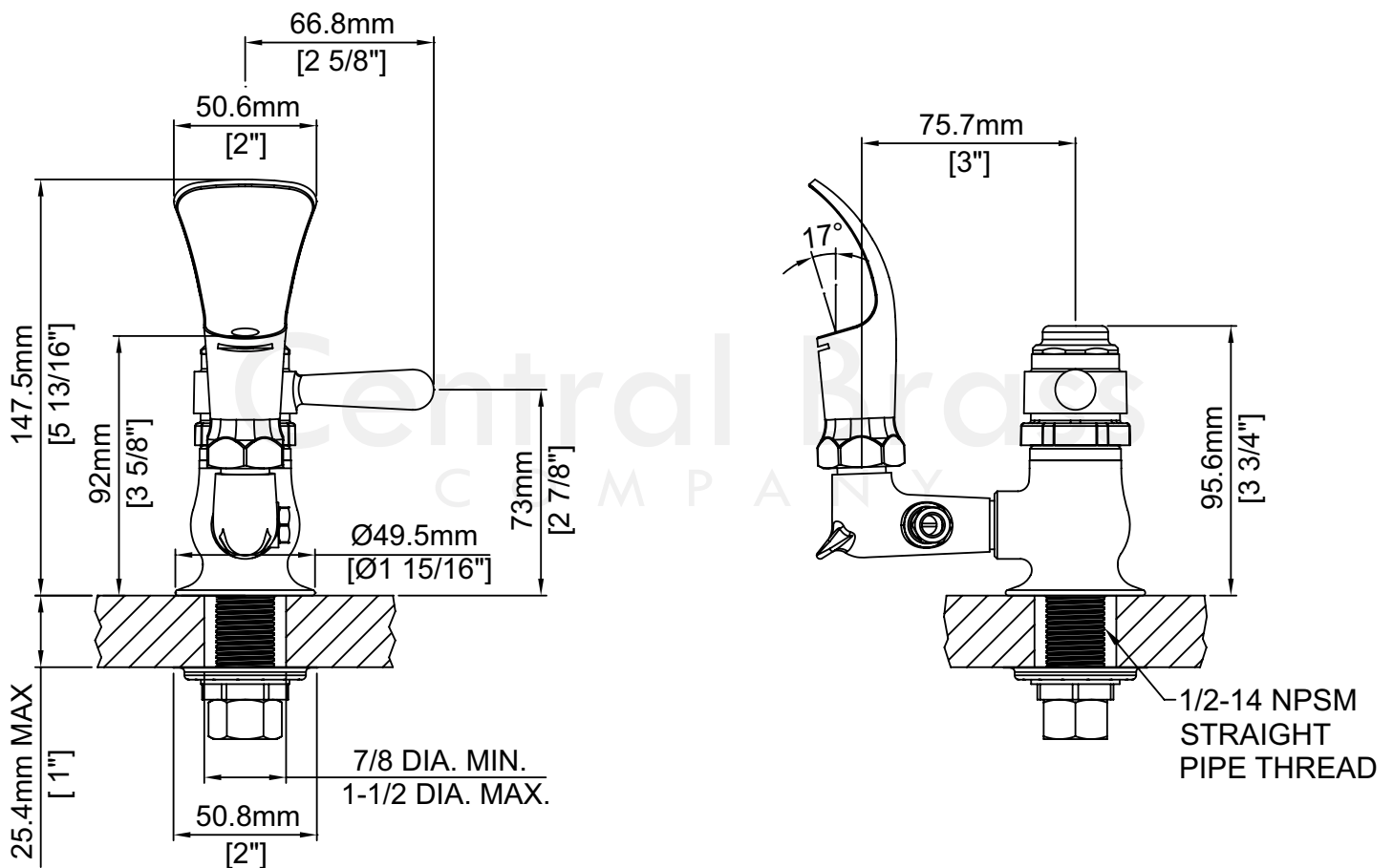
Job Name _____ Date _____
Model Specified _____ QTY _____
Customer/Wholesaler _____
Contractor _____
Architect/Engineer _____
Submitted as Shown _____
Submitted w/ Variations _____

0364-L/REV. 11 2016

Product Specifications subject to change without notice

Model# 0364-L

Drinking Faucet



0364-L/REV. 11 2016

Product Specifications subject to change without notice