

**Central Brass Company, Inc.**  
3325 S. Garfield Ave.  
Commerce, CA 90040  
(800) 321-8630  
www.centralbrass.com

**Tools:**



**Model Number: 0399 Series**

**Warnings and Notes:**

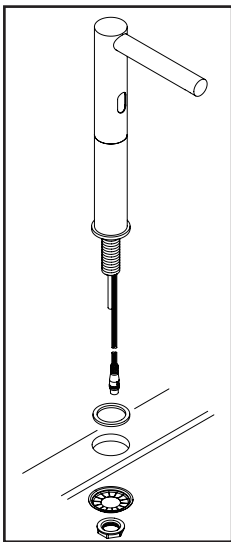
Check with local plumbing code requirements before installation.  
This product should be installed by a local listed plumber.

**Do not use plumbers putty on threads.**

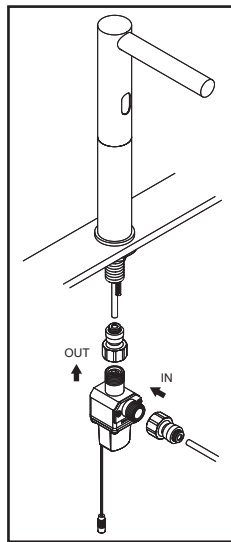


**Installation Steps:**

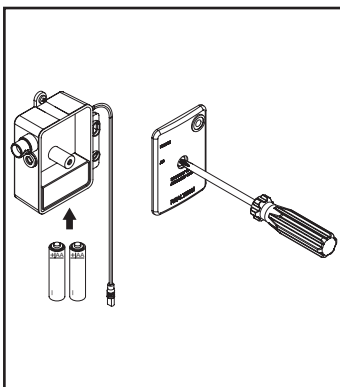
Single Hole Deck Mount Electronic Sensor Faucet



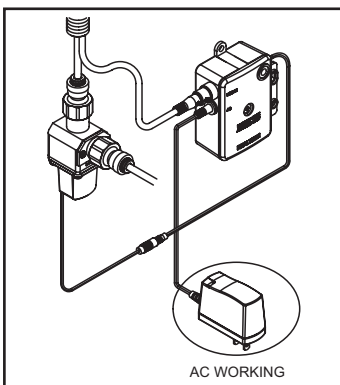
(1) Please have the parts placed in the order shown in picture on left. Secure the faucet with provided mounting kit, but do not over tighten.



(2) Please ready solenoid valve's orientation same as shown in picture on left. Secure 1/2" by 1/4" adapters onto the solenoid valve, but do not over tighten. Insert the outlet of the solenoid valve to the sensor faucet's 1/4" tube. Insert the inlet of the solenoid valve to incoming water supply that is also 1/4" tube.

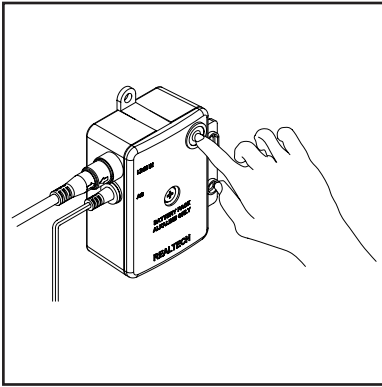


(3) For none -AC models only: Use a Philip screwdriver to loosen control module's front plate. Put in two AA batteries to power the control module. Then secure the front plate back to control module, do not over tighten. (Note: Do not perform this step if hands are wet.)

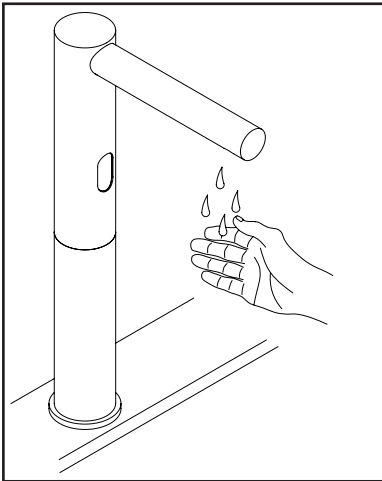


(4) Attach sensor cable from the sensor faucet to the control module, as shown on picture. Connect the solenoid cable to respective cable from control module, as shown on picture. For -AC models only, connect the AC adapter cable to the control module as shown on picture. (Note: Do not perform this step if hands are wet.)

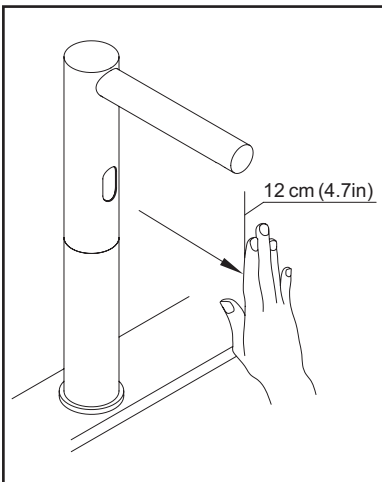
AC WORKING



(5) Press power button to turn on the sensor faucet.



(6) Factory preset sensing distance is 12 cm (~4.7 in), please place an object or hand at about this distance and let water flush any debris from supply line for at least one minute. Put aerator back to spout and press ON/OFF button again.



(7) To set sensing distance: Press and hold ON/OFF button for 5 ~ 7 seconds. When the LED sensor light remains lit, the system has entered setup mode. Place an object, or your hand, at desired distance. Note that the LED sensor light should be flashing when object is detected. To set the new distance, press the ON/OFF button again, your settings have been saved.

# Central Brass

COMPANY, Inc.

For more care information or trouble shooting inquiries about your Central Brass product, please call:  
**Central Brass Company, Inc.** (800) 321-8630  
Monday-Friday 8 AM to 8 PM EST (5 AM to 5 PM PST)  
[www.centralbrass.com](http://www.centralbrass.com)