

SCALA 6638

66" x 38" x 25" (FREESTANDING)

Scala, this freestanding bath has an aesthetic refinement that translates into a contemporary version of the Rococo style bathtub on lion's feet.



PRODUCT NO.

MODEL	TMU	TUB
Freestanding	BSCMOF00T-XX	BSCMOF00N-XX

THERMOMASSEUR (TMU) Hydro-thermo massage • Air jet system	\$10,875
Jets	38
1 heated backrest & headrest	Included
MiaPlus® Control*	Included
BU-Touch Control Application	Included
Geysair®	Included
AromaCloud®	N/A
AromaFlow*** BAROMAF NEW	\$950
Illuzio Chromatherapy BCHRO6	\$925
2 nd heated backrest (WTS-1 zone) BSHB	\$1,125

TUB Soaker	\$8,750
AromaCloud®	N/A
AromaFlow*** BAROMAF NEW	\$950
Illuzio Chromatherapy BCHRO6	\$925
WarmTouchShell® BWTS	\$1,125
DOT control	Included with therapy
2 nd WarmTouchShell® BWTS2	\$370

FEATURES

Installation type	Freestanding		
No. of bathers		Imp. gallons	51
US gallons	62		

INTEGRATED WASTE & OVERFLOW BOVERINI-XX	
White 01, Chrome 07, Brushed Nickel 09, Polished Nickel 10, Matte White with UltraVelour finish 32	Installed & Included

FEET (specify finish) BFEETSC-XX	
Matte Black 19, Satin Brass 18	Installed & Included

STANDARD COLOR	
White 01	Included

OPTIONS (UPCHARGE APPLICABLE)

FINISH	
UltraVelour Matte Finish (white only) BVEL2	\$850
ARMRESTS (2) BGBSC-XX	
Chrome 07, Brushed Nickel 09, Polished Nickel 10	\$1,950
Matte Black 19, Satin Brass 18	\$1,300
FEET (specify finish) BFEETSC-XX	
Chrome 07, Brushed Nickel 09, Polished Nickel 10	\$1,100
INTEGRATED WASTE & OVERFLOW BOVERINI-XX	
Matte Black 19, Satin Brass 18	\$120
ISLAND TUB DRAIN™**	
Island Tub Drain™ BISLDD	\$260
Cast Iron Island Tub Drain™ BISLDDCI	\$310
IF REQUIRED BY CONSTRUCTION CODE	
Brass waste & overflow kit BDRCOB	\$240
Brass waste kit BDRCB	\$60

Don't forget that this model is available in **White only**. Don't forget to specify the **finish of the integrated waste & overflow, feet and armrests**.

* Control and faucet cannot be installed on the deck of the bath.

** An Island Tub Drain™ is required when there is **no access under the bath**.

*** When ordering an AromaFlow, an Integrated waste & overflow is mandatory (Included). Specify the finish of the waste.

FOR THE INSTALLER

SCAN
TO VIEW
INSTALLATION
VIDEO (3:20 MIN)

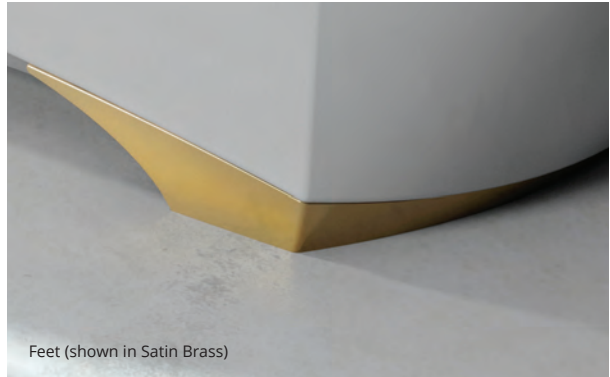




SCALA 6638 (FREESTANDING)

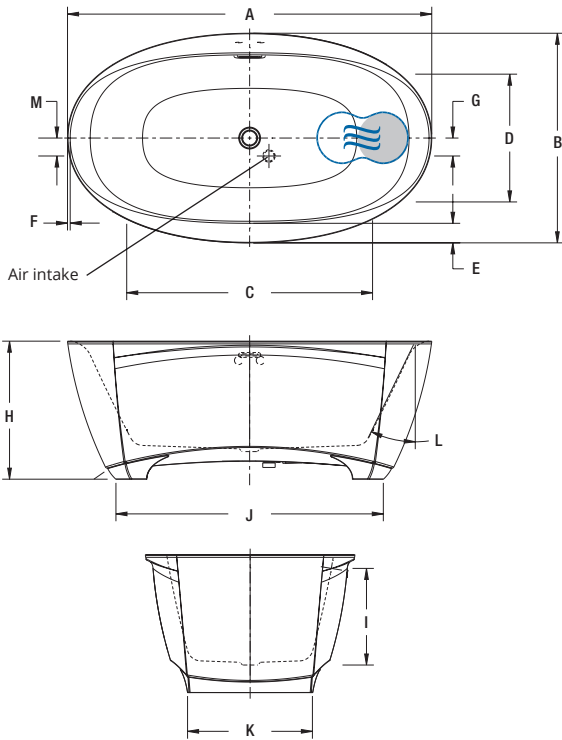


Armrests (2), offered in option



Feet (shown in Satin Brass)

INSTALLATION



LETTER	DESCRIPTION	MEASURE
A	Total length	66"
B	Total width	38"
C	Bathing well length	44 1/2"
D	Bathing well width	23 1/8"
E	Deck width at sides	3 1/2"
F	Deck width at ends	1/2"
G	Center drain to air intake	3 1/4"
H	Total height to headrest	25"
I	Maximum water level Maximum water level with AromaFlow	16 7/8" 15"
J	Base length	48 3/8"
K	Base width	22 5/8"
L	Slope of backrests	26°
M	Center drain to center air intake	3 1/4"

- Indicates heated backrest (TMU)
- ☁ Indicates WarmTouchShell® position (TUB)

TECHNICAL SPECIFICATIONS

Hot water supply required	The hot water supply should be 70% or more of the bath's total water capacity.
Turbine	Access to the pump must be at least 18" x 22". Standard connection is 20 A, 120 V, 60 Hz , dedicated line with a Ground-Fault Circuit Interrupter (GFCI). For any additional option, a second line is needed 15 A, 120 V, 60 Hz , dedicated line with a GFCI. Air vent necessary: 2" x 4" minimum.
Others	<ul style="list-style-type: none"> - The Geysair® is located on the same side as the heated backrest. It must NOT be relocated. It must be connected to the hot water supply and be accessible (provide access). - Faucet must be freestanding or wall-mounted. - The turbine must be remotely installed. - TMU: Control must be wall-mounted. - TUB: DOT control will be installed on TUB. - The water level will be lower when an AromaFlow is installed.

Our products must be installed by certified professionals only and according to our Owner's Manual as well as federal, provincial/state and local building codes and regulations (www.bainultra.com/dealers/dealer-documentation-and-catalog).

Cutting template	# 90000077
Approx. shipping weight	250 lb
Turbine power	550 W
Air heater	600 W
WARRANTY	
Controls-LED-Geysair*	5 years
Bath & turbine*	20 years

* Some restrictions apply | www.bainultra.com/warranty

The specifications shown indicate the outer edge dimension and the inside bathing capacity dimension measured at air jets' height. The manufacturer accepts a 1/4" [0.64 cm] variance. There are variations on each product and specifications are subject to change as we improve upon our product as required. The dimensions needed for site preparation and structure building will differ. BainUltra® assumes no responsibility for preparatory work done prior to the product being on site.