

ESTHESIA 6436

64" x 36" x 25" (FREESTANDING)

Esthesia, the new expression of beauty in the world of therapeutic baths. Neoclassically inspired Esthesia baths boast clean, purely geometric designs. Their elegant, luxurious pedigree means they're right at home in almost any cultural or architectural setting.



PRODUCT NO.

| MODEL | TMU | TUB |
|--------------|--------------|--------------|
| Freestanding | BEA3RF00T-XX | BEA3RF00N-XX |

| THERMOMASSEUR (TMU) Hydro-thermo massage • Air jet system | \$9,510 |
|--|----------|
| Jets | 38 |
| 1 heated backrest | Included |
| MiaPlus® Control | Included |
| BU-Touch Control Application BUTOUCH | \$430 |
| Geysair® | Included |
| AromaCloud®** BAROMAC | \$490 |
| AromaFlow*** BAROMAF NEW | \$950 |
| Illuzio Chromatherapy BCHRO6 | \$925 |
| 2 nd heated backrest (WTS-1 zone) BSHB | \$1,125 |

| TUB Soaker | \$6,900 |
|--|-----------------------|
| AromaCloud®** BAROMAC | \$490 |
| AromaFlow*** BAROMAF NEW | \$950 |
| Illuzio Chromatherapy BCHRO6 | \$925 |
| WarmTouchShell® BWTS | \$1,125 |
| DOT control | Included with therapy |
| 2 nd WarmTouchShell® BWTS2 | \$370 |

FEATURES

| | | | |
|-------------------|--------------|--------------|----|
| Installation type | Freestanding | | |
| No. of bathers | | Imp. gallons | 49 |
| US gallons | 59 | | |

INTEGRATED WASTE & OVERFLOW **BOVERINI-XX**

| | |
|---|----------------------|
| White 01 , Chrome 07 , Brushed Nickel 09 , Polished Nickel 10 , Matte White with UltraVelour finish 32 | Installed & Included |
|---|----------------------|

STANDARD COLOR

| | | |
|--|-----------------|----------|
| | White 01 | Included |
|--|-----------------|----------|

OPTIONS (UPCHARGE APPLICABLE)

COLOR

| | | |
|--|-------------------------|-------|
| | Black / White 66 | \$835 |
|--|-------------------------|-------|

FINISH

| | |
|--|---------|
| UltraVelour Matte Finish (white only) BVEL3 | \$1,025 |
|--|---------|

UNIVERSAL ARMRESTS **BGBGU-XX**

| | |
|-----------------|-------|
| White 01 | \$750 |
|-----------------|-------|

INTEGRATED WASTE & OVERFLOW **BOVERINI-XX**

| | |
|---|-------|
| Matte Black 19 , Satin Brass 18 | \$120 |
|---|-------|

ISLAND TUB DRAIN™**

| | |
|---|-------|
| Island Tub Drain™ BISLDD | \$260 |
| Cast Iron Island Tub Drain™ BISLDDCI | \$310 |

IF REQUIRED BY CONSTRUCTION CODE

| | |
|--|-------|
| Brass waste & overflow kit BDRCOB | \$240 |
| Brass waste kit BDRCB | \$60 |



Don't forget to specify the **finish of the integrated waste & overflow.**

* The AromaCloud® is built into the deck (factory installed).

** An Island Tub Drain™ is required when there is **no access under the bath.**

*** When ordering an AromaFlow, an Integrated waste & overflow is mandatory (Included). Specify the finish of the waste.

FOR THE INSTALLER

SCAN
TO VIEW
INSTALLATION
VIDEO (3:20 MIN)

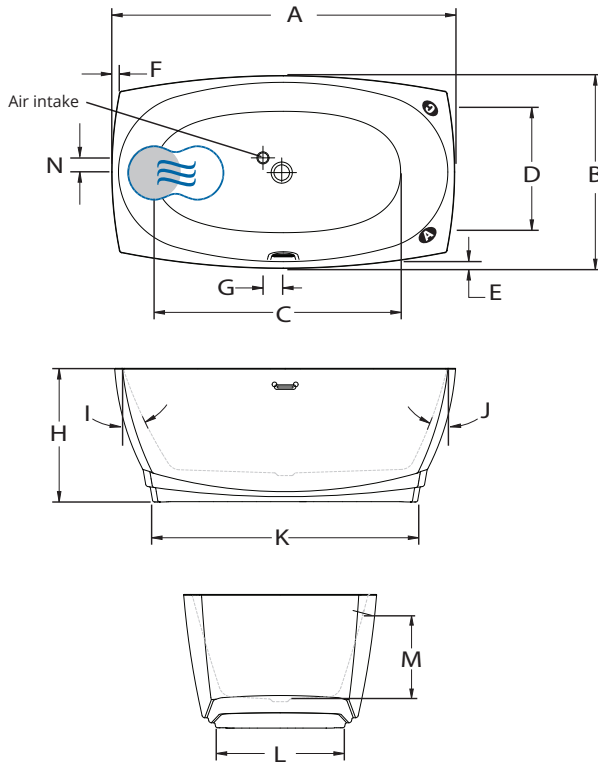




ESTHESIA 6436 (FREESTANDING)



INSTALLATION



| LETTER | DESCRIPTION | MEASURE |
|--------|---|--------------------|
| A | Total length | 64" |
| B | Total width | 36" |
| C | Bathing well length | 47 3/8" |
| D | Bathing well width | 23" |
| E | Deck width | 1 5/8" |
| F | Deck width at headrest | 1 5/8" |
| G | Center drain to center air intake | 3 1/2" |
| H | Total height | 25" |
| I | Slope of backrest | 26° |
| J | Slope of backrest | 21° |
| K | Base length | 49 5/8" |
| L | Base width | 23 7/8" |
| M | Maximum water level Maximum water level with AromaFlow | 15 7/8" 15 1/8" |
| N | Center drain to center air intake | 2 3/4" |

- (A)** AromaCloud® position
- (G)** Control position when factory-installed (Mia® or DOT)
- Indicates heated backrest (TMU)
- (W)** Indicates WarmTouchShell® position (TUB)

TECHNICAL SPECIFICATIONS

| | |
|----------------------------------|--|
| Hot water supply required | The hot water supply should be 70% or more of the bath's total water capacity. |
| Turbine | Access to the pump must be at least 18" x 22". Standard connection is 20 A, 120 V, 60 Hz, dedicated line with a Ground-Fault Circuit Interrupter (GFCI). For any additional option, a second line is needed 15 A, 120 V, 60 Hz, dedicated line with a GFCI. Air vent necessary: 2" x 4" minimum. |
| Others | <ul style="list-style-type: none"> - The Geysair® is located on the same side as the heated backrest. It must NOT be relocated. It must be connected to the hot water supply and be accessible (provide access). - Faucet must be freestanding or wall-mounted. - The turbine must be remotely installed. - The water level will be lower when an AromaFlow is installed. |

Our products must be installed by certified professionals only and according to our Owner's Manual as well as federal, provincial/state and local building codes and regulations (www.bainultra.com/dealers/dealer-documentation-and-catalog).

The specifications shown indicate the outer edge dimension and the inside bathing capacity dimension measured at air jets' height. The manufacturer accepts a 1/4" [0.64 cm] variance. There are variations on each product and specifications are subject to change as we improve upon our product as required. The dimensions needed for site preparation and structure building will differ. BainUltra® assumes no responsibility for preparatory work done prior to the product being on site.

| | |
|--------------------------------|------------|
| Cutting template | # 90000066 |
| Approx. shipping weight | 240 lb |
| Turbine power | 550 W |
| Air heater | 600 W |
| WARRANTY | |
| Controls-LED-Geysair* | 5 years |
| Bath & turbine* | 20 years |

* Some restrictions apply | www.bainultra.com/warranty