

**57" GRAYSON
CAST IRON
SLIPPER TUB**

Cat. No.
CTSN57



L: 57"
W: 31"
H: 21-1/2" - 28-1/4" (from floor to top of tub)
16-1/2" - 23-1/2" (from bottom of tub to top of tub)

Water Depth: 16-1/2" to top of tub
Water Depth 13" to overflow

The following is recommended for CTSN57 tubs without deck holes:

- Faucets: part #4602
- Rigid, freestanding supplies: part #4502
- Leg tub drain: part #5599

Gallon Capacity: 35
Shipping Weight: 455 lbs.
Empty Weight: 275 lbs.
Filled Weight: 567 lbs.

Features:

- ▶ Inside finish is white enamel
- ▶ Tub exterior is white (epoxy)
- ▶ No faucet holes
- ▶ Pre-drilled overflow hole
- ▶ Cast Iron ball and claw reet available in 6 finishes
- ▶ Tub is thoroughly inspected before shipment

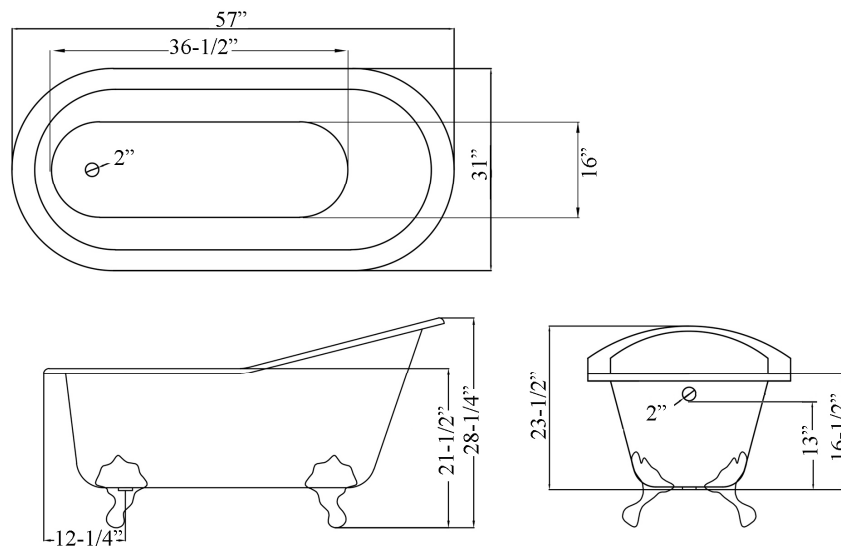
Foot Finishes:

PB Polished Brass
CP Polished Chrome
SN Brushed Nickel



WH White
PN Polished Nickel
ORB Oil-rubbed Bronze

Custom Colors Available (inside of tub is always white enamel):
Painted bathtubs are considered "special order" and are not returnable
\$160 Bisque or Black \$250 Designer Color



Dimensions of fixture are nominal and may vary within the range of tolerances established by ANSI Standard A112.19.1M. Dimensions and specifications subject to change without notice.