

"Creations" by ALNO, INC.

INSTALLATION INSTRUCTIONS

MODEL:

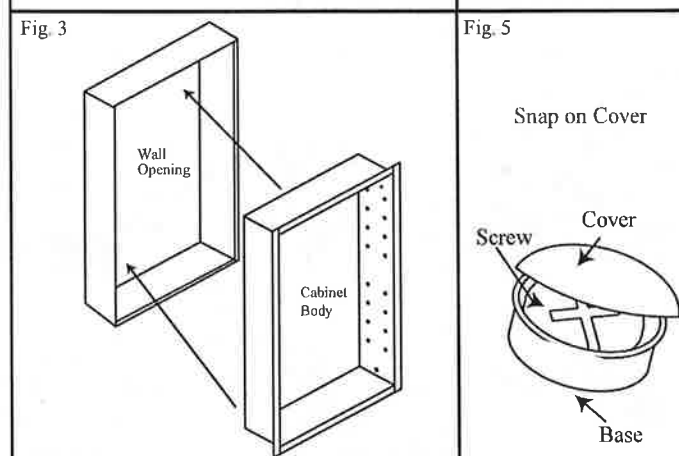
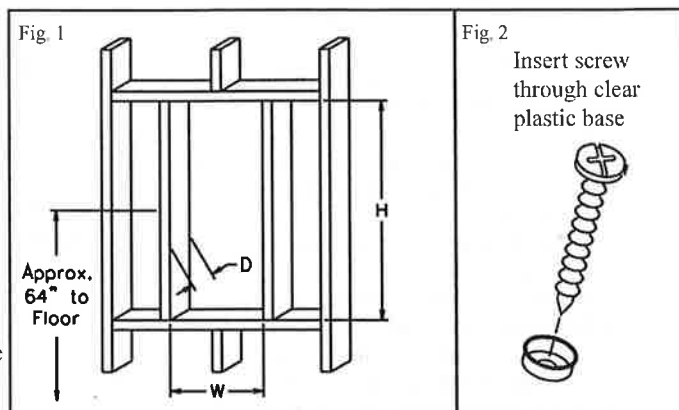
| | |
|-------------|------------|
| MC10244, | MC10246 |
| MC11244, | MC11246 |
| MC20244, | MC20246 |
| MC21244, | MC21246 |
| MC30244, | MC30246 |
| *MC4550, | *MC4550-1 |
| *MC4552, | *MC4552-1 |
| MC20254-WH, | MC20254-SS |

RECESSED MOUNTED,
STEEL & STAINLESS STEEL BATH CABINETS

| MODEL NO. | WALL OPENING | | | OVERALL SIZE | | |
|-----------|--------------|----|---|--------------|----|---|
| | W | H | D | W | H | D |
| MC10244 | 14 1/4 | 24 | 4 | 15 | 25 | 5 |
| MC10246 | 14 1/4 | 24 | 6 | 15 | 25 | 7 |
| MC11244 | 14 1/4 | 24 | 4 | 15 | 25 | 5 |
| MC11246 | 14 1/4 | 24 | 6 | 15 | 25 | 7 |
| MC20244 | 14 1/4 | 24 | 4 | 15 | 25 | 5 |
| MC20246 | 14 1/4 | 24 | 6 | 15 | 25 | 7 |
| MC21244 | 14 1/4 | 24 | 4 | 15 | 25 | 5 |
| MC21246 | 14 1/4 | 24 | 6 | 15 | 25 | 7 |
| MC30244 | 14 1/4 | 24 | 4 | 15 | 25 | 5 |
| MC30246 | 14 1/4 | 24 | 6 | 15 | 25 | 7 |
| MC4550 | 14 1/4 | 24 | 4 | 15 | 25 | 5 |
| MC4550-1 | 14 1/4 | 24 | 4 | 15 | 25 | 5 |
| MC4552 | 14 1/4 | 24 | 6 | 15 | 25 | 7 |
| MC4552-1 | 14 1/4 | 24 | 6 | 15 | 25 | 7 |
| MC20254 | 19 1/4 | 24 | 4 | 20 | 25 | 5 |

INSTALLATION of CABINET

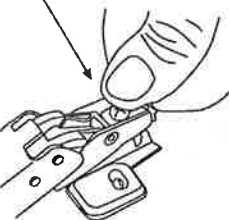
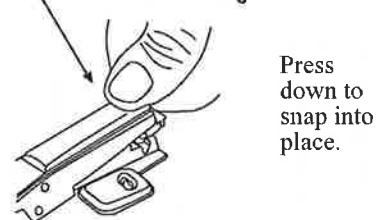
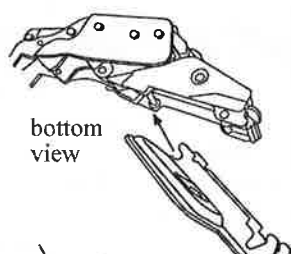
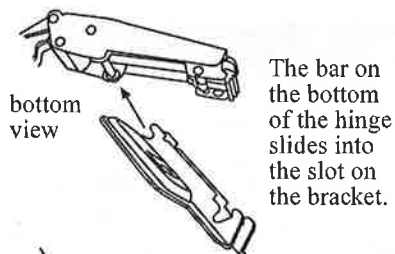
- Carefully remove all packing material. Place hardware packages, shelves, and door aside until needed.
- Determine desired location of cabinet on wall. Mark wall to show wall opening size (see dimension chart). Generally, the recommended height to the center of the cabinet is 64" from the floor. (Figure 1)
- CAUTION:** Wall studs, plumbing or electrical lines that interfere must be removed or relocated. Cut wall opening, being careful not to damage the surrounding wall surface. Insert framing to support all plaster board edges.
- Prepare the mounting screws by placing the screws into the clear plastic bases. (Figure 2)
- NOTE:** For ease of installation, an additional person is recommended. Insert cabinet into wall opening. (Figure 3). Ensure the cabinet is plumb and level. If necessary use a carpenter's level and shim corners of cabinet. Secure to wall studs through the four (4) mounting holes inside cabinet, using the screws that have been placed into the plastic bases. (Figure 4) Do not over tighten the mounting screws as body side wall may bend and prevent shelf installation. Only tighten screws until they are flush with the body.
- Snap the screw covers over the screw bases. (Figure 5)



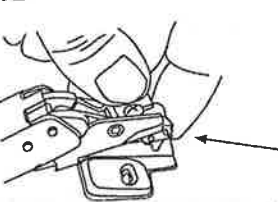
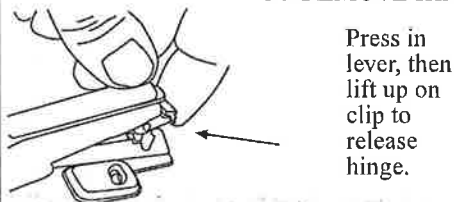
FAMILIARIZE YOURSELF WITH HINGE PRIOR TO MOUNTING.

125 Degree Hinge

170 Degree Hinge



TO REMOVE HINGE



ATTN: INSTALLER
DO NOT OVER TORQUE (TIGHTEN) HINGE MOUNTING SCREWS. MANUALLY SCREW IN WITH PHILLIPS SCREW DRIVER UNTIL THE SCREW FEELS SECURE IN THE RIVET. IF USING A POWER DRILL, SET MAXIMUM TORQUE SETTING TO #5. OVERTIGHTENING THE SCREWS MAY/WILL CAUSE THE RIVET NUT TO LOOSEN FROM THE UNDERSIDE.

INSTALLATION of DOORS

1. Remove hinges and screws from hardware bag. Mount hinge unit on door as shown in Fig. 6 or Fig. 7 securing with screws provided.
2. Install the door by inserting door side of the hinge into the bracket on the body as shown;
 - A) 125 degree hinge
Insert door side of clip hinge as shown in Fig. 8
 - B) 170 degree hinge
Insert door side of clip hinge as shown in Fig. 9
3. Check door for proper alignment. If the door needs to be adjusted please refer to the adjustment procedures in Fig. 10 or Fig. 11. Door edges should be aligned with to the face of the body.
4.
 - A) 125 degree hinge only:
Snap on hinge cover plate. (Fig. 12)
 - B) 170 degree hinge only: (Fig. 13)
After proper alignment of door, **REMOVE door from body by unclipping each hinge.** (see pg1)
Place the door on a secure flat surface with the hinges facing up. Use the diagrams in Figure 13 to apply the soft close attachment to either hinge.
NOTE: Only ONE hinge needs the attachment.
Only ONE attachment included.
 - (a) Improper mounting
 - (b) Position soft close attachment into place.
 - (c) Slide hinge into place.
 - (d) "Click" soft close attachment into place.

Fig. 6
125 Degree Hinge
Mounted to Door

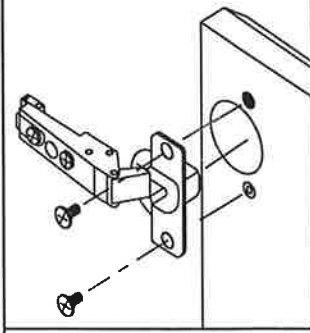


Fig. 7
170 Degree Hinge
Mounted to Door

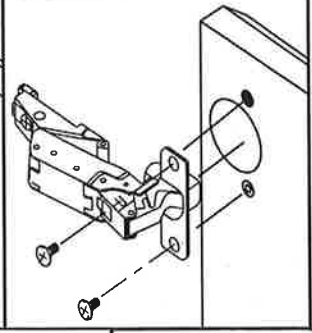


Fig. 8
125 Degree Hinge
Mounted to Cabinet

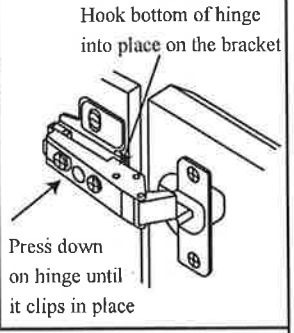


Fig. 9
170 Degree Hinge
Mounted to Cabinet

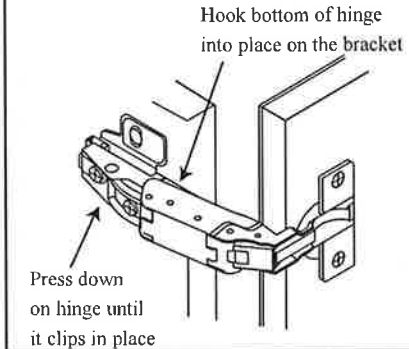


Fig. 10
125 Degree Hinge

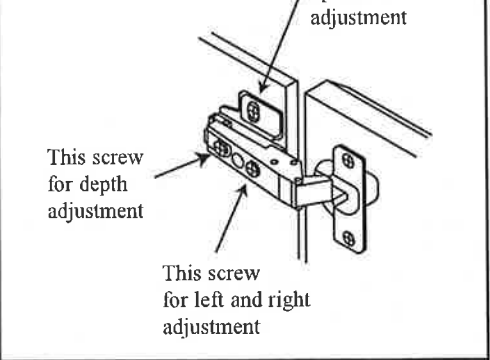


Fig. 11
170 Degree Hinge

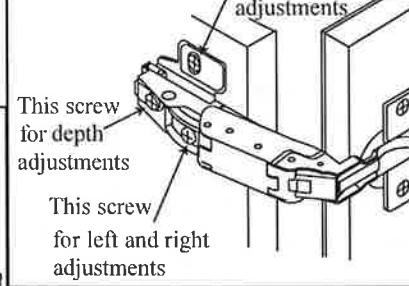


Fig. 12
125 Degree Hinge

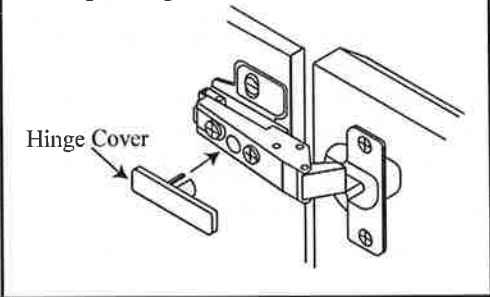
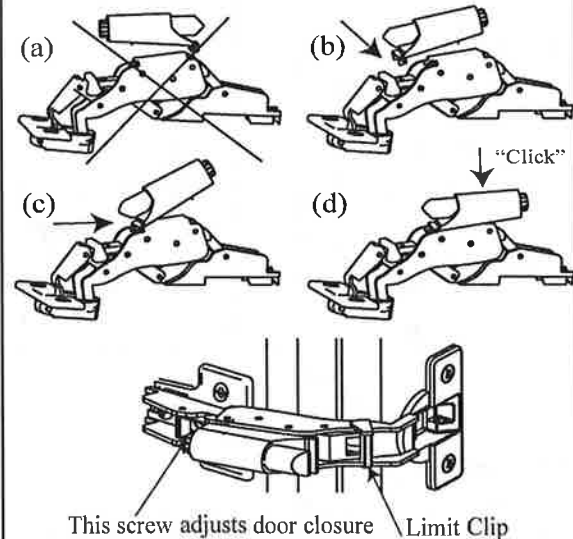


Fig. 13
170 Degree Hinge



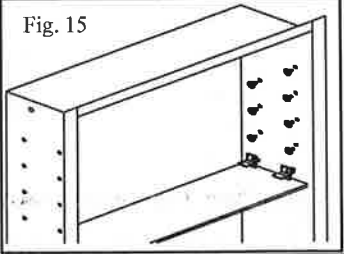
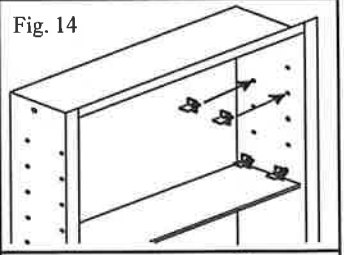
MIRROR CARE INSTRUCTIONS

- Use only clean warm water and a clean, soft, lint-free cloth.
- DO NOT USE cleaners that contain solutions of ammonia, vinegar, or chlorine. DO NOT USE powdered cleansers or steel wool.
- NEVER spray cleaning agents directly on mirror, especially on exposed edges and mirror backing. Apply cleaner to soft cloth and wipe mirror. Dry mirror thoroughly.
- Keep mirror dry. A well ventilated bathroom is important.

INSTALLATION of SHELVES, HOLE PLUGS AND BUMPERS

Note: Carefully review the shelf location desired. The hole plugs are difficult to remove once inserted so it is important to locate the shelves in the proper location before the hole plugs are installed.

- 1) Select where you want the shelves to be placed.
- 2) Insert two (2) shelf brackets at each end of the shelf locations. (Fig. 14)
- 3) Set shelves in place on the shelf brackets, pressing down on shelf to lock in place. (Fig. 14)
- 4) Remove hole plugs from hardware bag and place into remaining holes. (Fig. 15)
- *5) Remove bumpers from hardware bag and position to body.
(Not applicable to models noted with an * on page 1)



Instructions to remove soft close hinge attachment

- 1) Remove door from body by unclipping each hinge. Place the door on a secure flat surface with the hinges facing up.
- 2) Using a flat screwdriver, position under triangle as shown.
- 3) Gently lift to remove hinge attachment.

