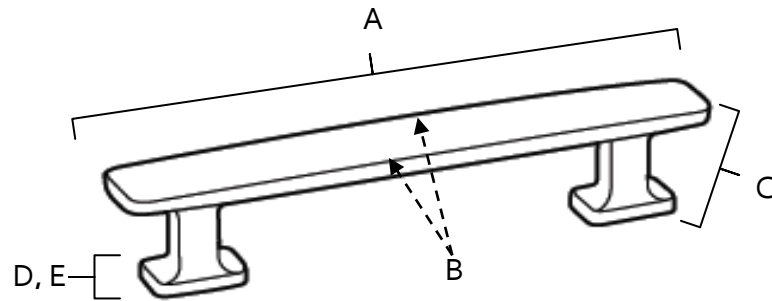


SPECIFICATIONS

Cloud

Appliance / Drawer Pull



FEATURES

- Modern styling
- Multiple finishes
- Concealed installation

WARRANTY

Limited lifetime

FINISHES

- Polished Chrome (PC)
- Polished Brass (PB)
- Bronze (BRZ)
- Chocolate Bronze (CHBRZ)
- Pewter (PEW)
- Polished Nickel (PN)
- Satin Nickel (SN)

MATERIAL

Brass

Item#	A	B	C	D	E(L)	F (W)
D252-8	9 1/4"	1"	8"	1 1/2"	3/4"	5/8"
D252-12	13 1/2"	1 1/8"	12"	2"	7/8"	3/4"
D252-18	19 1/2"	1 1/4"	18"	2 1/4"	7/8"	3/4"

KEY:

- A - Overall Length
- B - Handle Width
- C - Center to Center
- D - Projection
- E - Mount Length
- F - Mount Width

NOTE: Dimensions and specifications are subject to change without notice.

T 818.882.6028 F 818.700.1540 www.alnoinc.com